

Acclaim Walk-In Tile | Recessed 2S Centre Waste

PRODUCT FEATURES

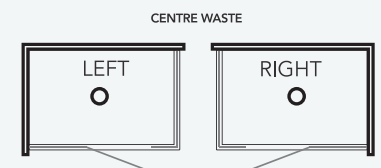
- 10mm Safety Glass (NZ Standards AS/NZS 2208)
- Contemporary Frameless Design
- 1960mm High Door and Returns
- Custom Options Available



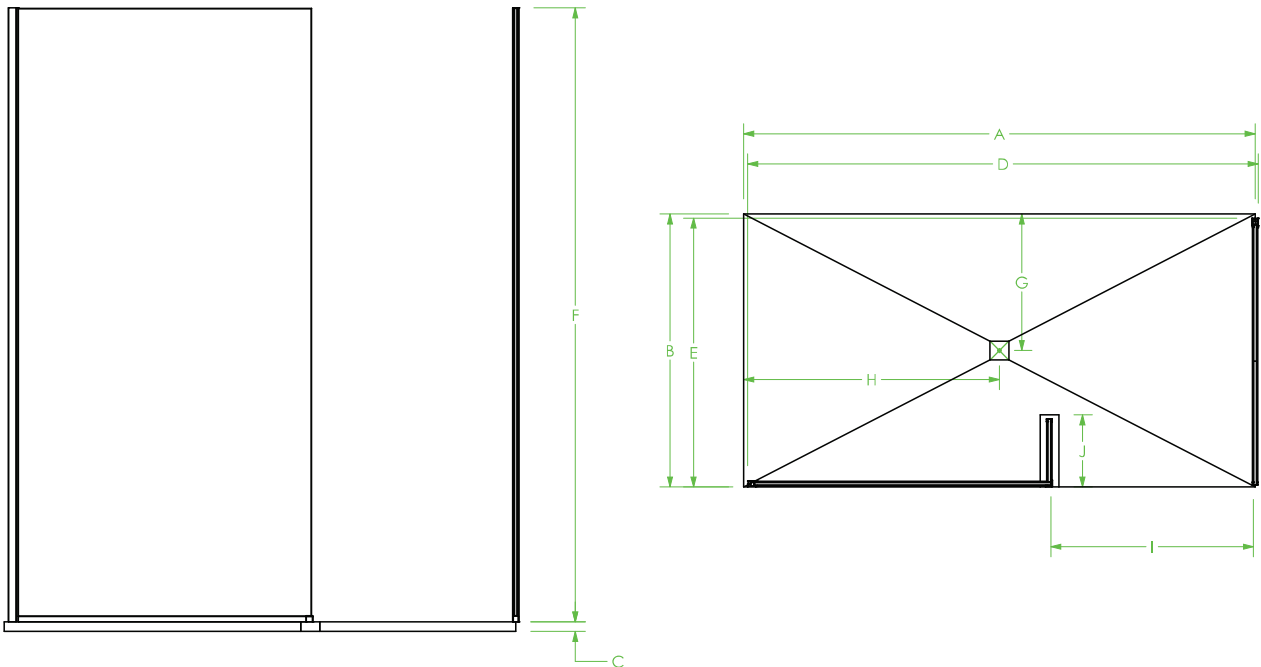
COLOUR OPTIONS



TRAY ORIENTATION



SPECIFICATIONS



| DOOR x RETURN | TRAY | | | DOOR SET | | | WASTE | | OPENING | INFILL |
|-------------------|------|-----|----|----------|-----|------|-------|-----|---------|--------|
| | A | B | C | D | E | F | G | H | I | J |
| 1660 x 900 | 1630 | 870 | 30 | 1630 | 870 | 1957 | 435 | 815 | 646 | 230 |
| 1760 x 900 | 1730 | 870 | 33 | 1730 | 870 | 1957 | 435 | 865 | 646 | 230 |

COMPONENT ONE: Door Set

CLASS: One

DESCRIPTION:

Newline Door Sets are used in conjunction with acrylic trays and linings, as well as tile floors and walls, to create a full shower enclosure. Doors are all manufactured from safety glass (NZ Standards AS/NZS 2208) with aluminum framing, and may include components of other hardware, including, but not limited to, handles, hinges, and clips.

Newline door sets have variations suitable for use in both acrylic and tile 2-Sided, Alcove, Curved and Neo shower enclosures. They are available in a range of standard sizes from 750mm up to 2100mm, and have custom options. Newline door sets are also available in different screen heights, from 1830mm up to 2000mm, with custom options available. Hardware colour options include chrome, white, black, brushed brass, brushed nickel, and gun metal.

CONTRIBUTIONS TO COMPLIANCE

B2.3.1 (c) (i),(ii) & B2.2.2 (b): Newline Door Sets have a warranted durability of between 5-10 years, when maintenance standards are adhered to. Door sets are installed as components of a building system and can be replaced without removing building elements that have greater durability. Refer to installation guides and Aftercare Document for further information.

E3.3.5: Newline Door Sets are likely to be splashed throughout the intended use of the building. Door sets are impervious. Seals should be fitted correctly to ensure water tightness, refer to installation guides for more information.

SCOPE OF USE

Newline Door Sets are intended for use in the following environments:

- Domestic and commercial bathrooms, including residential homes, government housing, hotels, and apartments.
- Suitable for use with cold and warm water.
- Compatible with acrylic trays and linings, and tiled floors and walls that meet installation requirements outlined in relevant installation guides.
- Check door height before installation. Screen heights compatible with standard stud height, but this should be checked prior to installation.

WARNINGS AND BANS

This product is not subject to warning or bans under section 26 of the Building Act 2004.

CONDITIONS OF USE

- Newline door sets are intended for use under regulated water pressure and temperature that does not exceed 55 degrees Celsius, have heavy mineral loadings, geothermal qualities, or pH imbalance.
- Working parts and PVC seal durability is not included in door set durability period according to B2.2.2 (b). All working parts and PVC seals carry a 12-month warranty.
- Water leakage will occur in frameless glass showers if the shower rose is pointed directly at the door. An acrylic seal package will help to prevent water spillage.
- Must be installed in accordance with Newline Acclaim 2S and 3S Installation Manual.
- Cleaning products including bleaches, solvents, alcohol, citrus based chemicals, bath oils, and/or any abrasive cleaner shouldn't be used. Full list is outlined in Aftercare Document.
- Should be installed by an experienced shower installer or tradesman to ensure best outcome.

COMPONENT TWO: ProFinish™ Tile Over Tray

CLASS: Two

DESCRIPTION:

The ProFinish™ Tile Tray System is made in New Zealand from high density, environmentally safe, rigid polyurethane, and replaces the need for a traditional sand and cement sloped tile shower base.

Since its launch with Jigsaw, the ProFinish™ Tile Tray System has expanded to include the premade Tile Tray, Wedge Tile Tray with Channel Drain Kit, Barrier Free Floor System and Recessed Tile Shelf; all made from the same high density, rigid polyurethane.

The ProFinish™ Tile Tray System offers flexibility, as trays can be custom manufactured to suit individual requirements. ProFinish™ Trays are easy to install, can accommodate either a channel drain or standard tile waste, are suitable for above floor or recessed application, and can be manufactured to accommodate virtually any waste position.

The ProFinish™ Tile Tray System is bonded to the floor, using compliant "Wet Area" wall linings, a continuous waterproofing membrane on floors, tray and up the walls. This whole enclosure is then ready for tiling..

CONTRIBUTIONS TO COMPLIANCE

B2.3.1 (b) and B2.3.2: The Newline ProFinish™ shower system, when exposed to normal conditions of the environment and subjected use, are intended to have serviceable minimum life period of 20 years and be compatible with ceramic and stone tile finishes that have a serviceable life of between 15 to 25 years. Refer to Appraisal for more information.

E3.3.2 and E3.3.6: The Newline ProFinish™ Shower System will prevent the passage of moisture from penetrating behind wall linings or entering concealed spaces. All surfaces of the membrane must have a finished surface of ceramic or stone tile. Full list of fall positions and compliance standards are outlined in Appraisal document.

F2.3.1: The Newline ProFinish™ Shower System is made from a rigid polyurethane base that does not give rise to harmful concentrations. Refer to Appraisal for more information..

SCOPE OF USE

The Newline ProFinish™ Shower System is intended for use in the following environments.:

- Buildings where an enclosed shower tray system and impervious waterproof membrane is required to floor and wall wet areas as defined in E3/AS2 to prevent damage to building elements and adjoining structures.
- Suitable for uses in applications such as residential housing, commercial bathrooms, hotels and apartments.
- For full scope of use required, refer to Appraisal and Installation Instructions..

CONDITIONS OF USE

- Refer to appraisal for full scope of system. The ProFinish™ system must be installed according to the ProFinish™ Installation manual.
- When designed and installed correctly, no maintenance of the Newline ProFinish™ shower system is required or is achievable. A regular check of the finished surfaces must be made to ensure it remains fully adhered to the substrate. Any cracks or damage that may occur to the finished surface must be repaired by a professional tradesperson immediately. Refer to Product Appraisal and Newline Maintenance Document for more information.
- Product should be installed by an experienced installer or tradesperson to ensure best outcome.

BPIR DISCLOSURE - Contact Details and Supporting Documentation

WARNINGS AND BANS

This product is not subject to warning or bans under section 26 of the Building Act 2004.

CONTACT DETAILS

Location: NZ for Local and Imported Products

Legal and Trading Name of Manufacturer: Newline Group Ltd

Importer Address for Service: 54 Unutoto Place, Tauranga, 3171

Importer Website: newline.nz

Importer Email: info@newline.co.nz

Importer Phone Number: 0508 NEWLINE

SUPPORTING DOCUMENTATION

The following additional documentation supports the above statements:

[Aftercare and Maintenance Doc](#)

[Warranty Information](#)

[Instruction Manual](#)

[ProFinish™ Appraisal Document](#)