

## **Important!**

---

1. When you receive your Newline shower check contents for any freight damage.
2. Advise Newline on 0508 639 5463 if any damage has occurred or a defect identified within 8 hours of receiving the goods so this can be rectified.
3. Do not install any faulty product as this will invalidate later claims.

## DOOR SET / IMPORTANT INFORMATION

### WARRANTY

Faulty goods are covered under warranty. Visit [www.newline.co.nz](http://www.newline.co.nz) for warranty information.

Breakages incurred during construction are not covered under warranty.

Installations must conform to the instructions to be covered by the warranty.

### HEALTH AND SAFETY

#### *Toughened Glass:*

- Do not rework precut glass panels. Cutting or altering a glass panel will cause it to explode without warning.
- Unpack all glass assemblies. Stand glass on soft packaging on the floor and against a wall. Care must be taken not to strike any edge or corner against a hard surface as this will chip and destroy the glass panel.

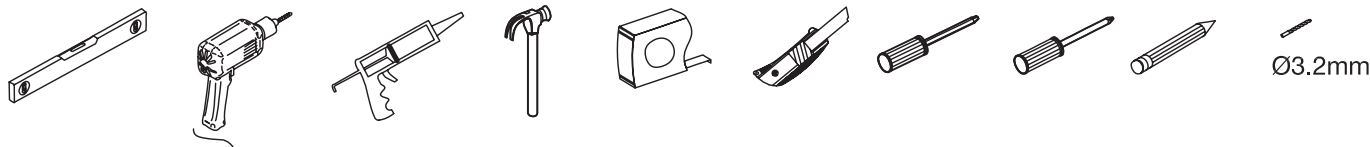
#### *Installation:*

- Glass panels and assemblies are heavy. Two man lifting is recommended for handling and installation.
- Determine positioning of wiring and piping within wall cavities before shower installation. Mark their positions to ensure electrical and piping areas are avoided.
- Wear appropriate protective clothing and eye protection during installation.

### MATERIALS REQUIRED

Sika Silaflex NG Translucent Silicone

### TOOLS REQUIRED



### AFTERCARE

Newline recommend squeegeeing down the glass after every shower and cleaned weekly with a microfiber cloth, mild detergent and water. Rinse with clean water and squeegee and wipe dry.

### ENSURE YOU *TICK* THE SPECIFIC BOXES THAT APPLY AS YOU PROGRESS

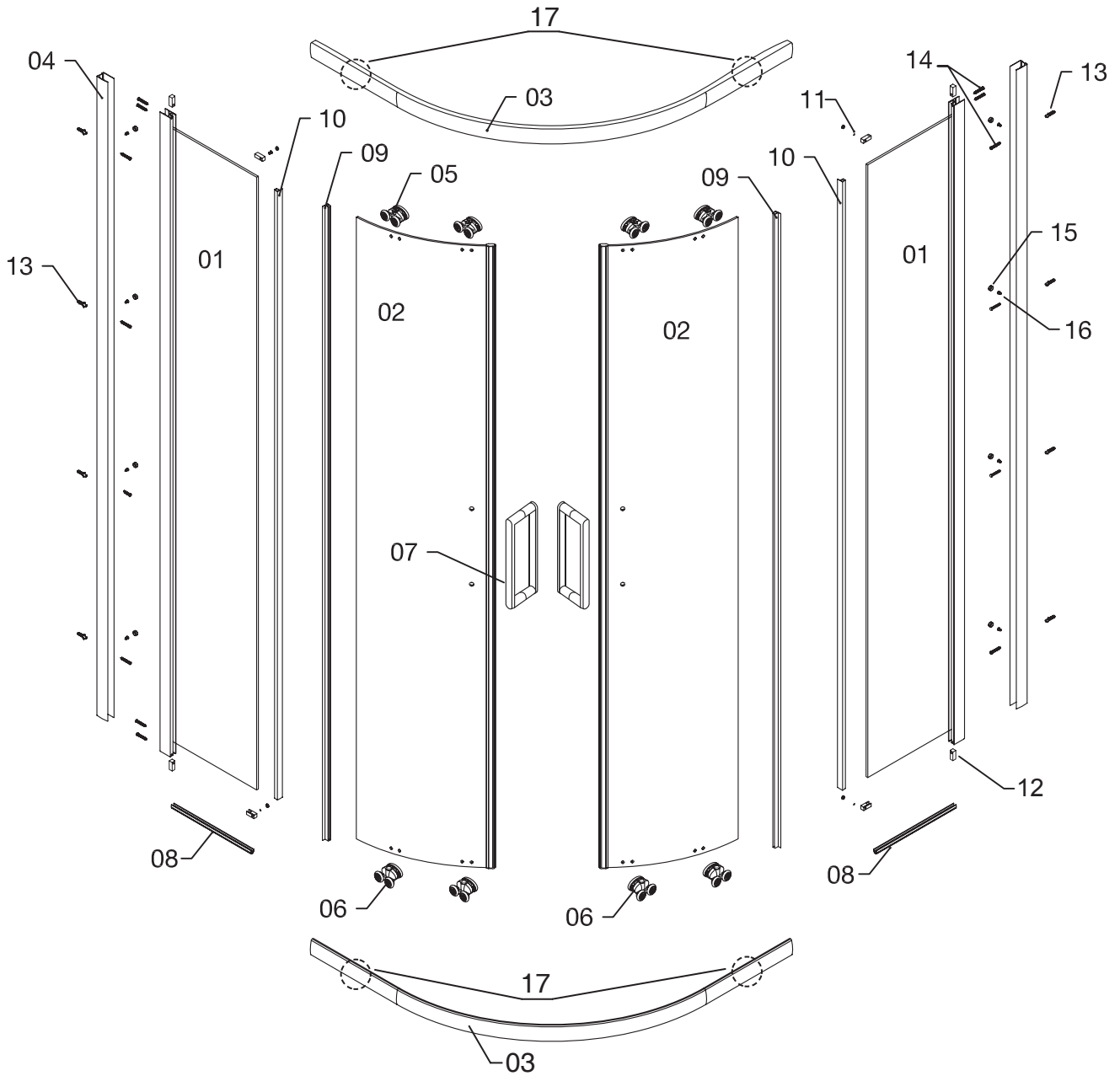
- Curved Shower: Ensure the floor is level and the walls are plumb and flat.
- Position all framing for solid fixing for the shower tray, shower and plumbing fittings (wall profiles require a stud centred 20mm back from tray outside edge).
- Ensure all plumbing items have been installed prior to the lining being attached.

### ACRYLIC TRAY AND LINER



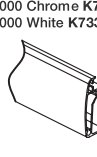
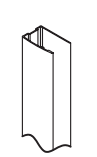
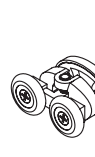
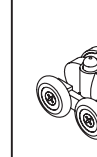

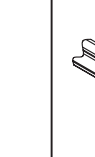
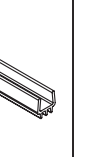
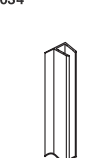

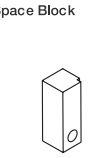


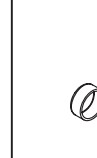


- Detailed installation instructions are packed with the shower tray for tray and lining installation.

**NEWLINE RECOMMENDS A SKILLED TRADESMAN ACQUAINTED WITH SHOWER INSTALLATIONS TO ENSURE THE VERY BEST OUTCOME.**

# CURVED SHOWER



## COMPONENT LIST

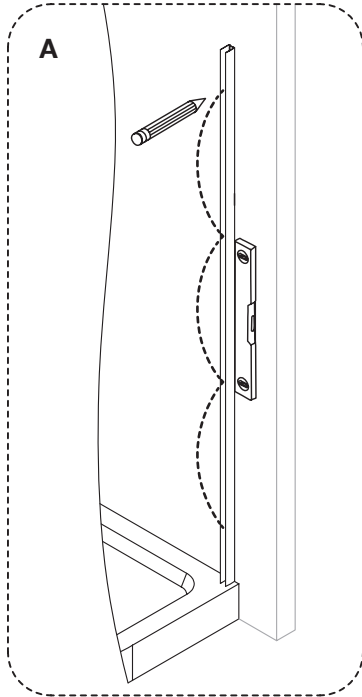
Fixed Glass Panels  01 2 PCS	Door Glass  02 2 PCS	Curved Rails 900 Chrome K7307 900 White K7314 1000 Chrome K7321 1000 White K7338  03 2 PCS	Wall Profile Chrome K7126 White K7133  04 2 PCS	Top Roller K7027  05 4 PCS	Bottom Roller K6792  06 4 PCS	Handle  07 2 PCS	Fixed glass bottom seal K8617  08 2 PCS	Back door seal K2264  09 2 PCS	
Replacement Screw Pack - Chrome & White K2288									
Fixed panel seal K7034  10 2 PCS	Glass Clamp  ST4*10 11 4 PCS	Space Block  12 4 PCS	Wall Plug (Concrete)  Ø6*30 13 8 PCS	 ST4*35 14 16 PCS	 15 8 PCS	 ST4*10 16 8 PCS	 17 8 PCS		

SHOWER TYPE	WALL CHANNEL ADJUSTMENT	TRAY TYPE
915mm*915mm	888mm(Minimum) to 908mm(Maximum)	Low Profile Tray
1015mm*1015mm	988mm(Minimum) to 1008mm(Maximum)	Low Profile Tray

**NOTE: Make sure the correct shower is used on the correct tray.**

**Walls out of plumb will not allow for full minimum / maximum options.**

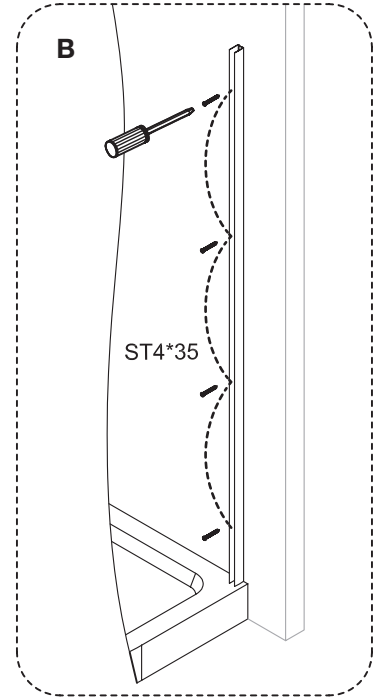
**1**



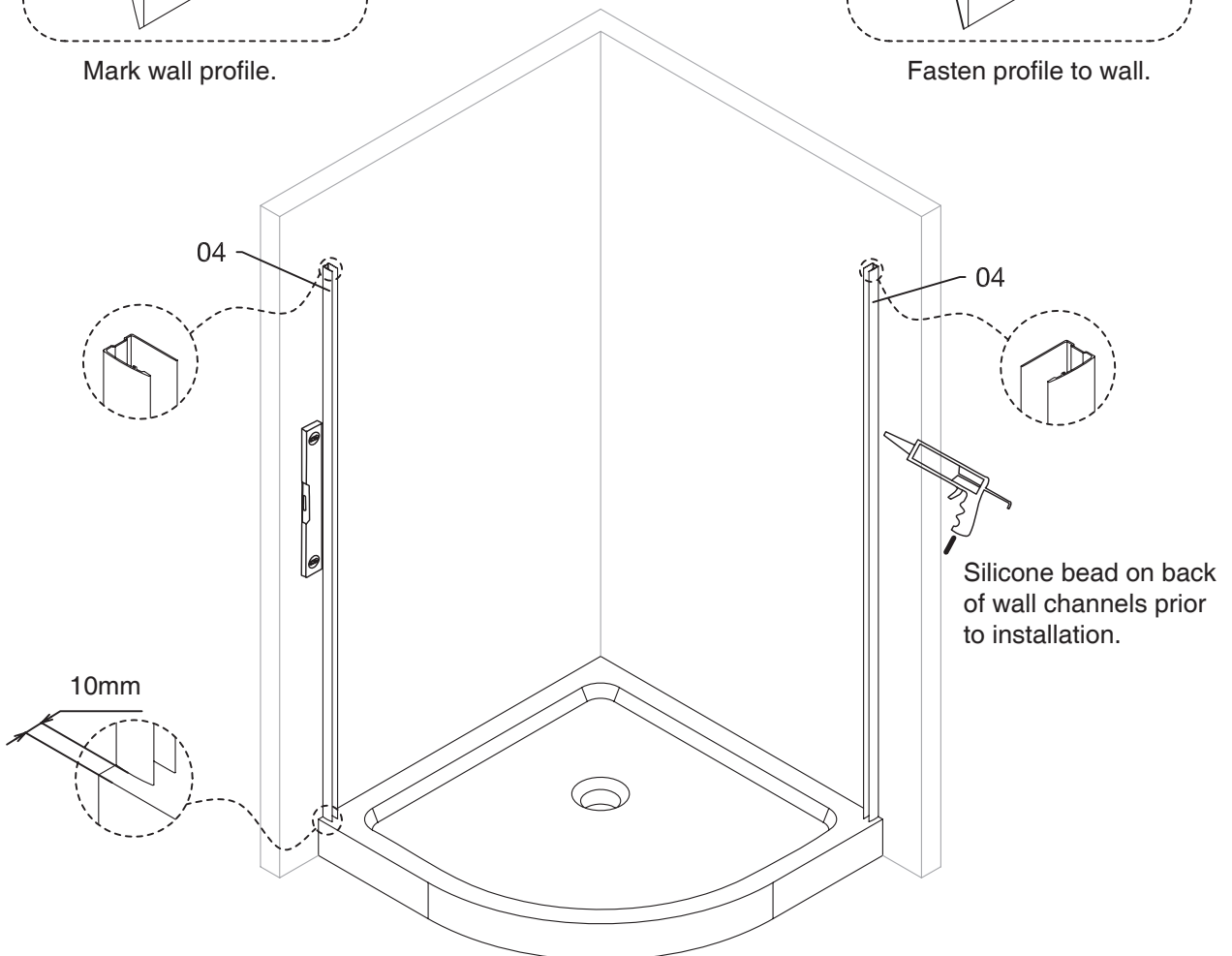
Mark wall profile.

**Acrylic Shower Layout**

Position the wall channels at 10mm off the tray edge as diagram below. This allows for walls bowed or leaning inwards up to 6mm. Reduce the measurement off the tray edge if walls dictate this. Refer to table above.



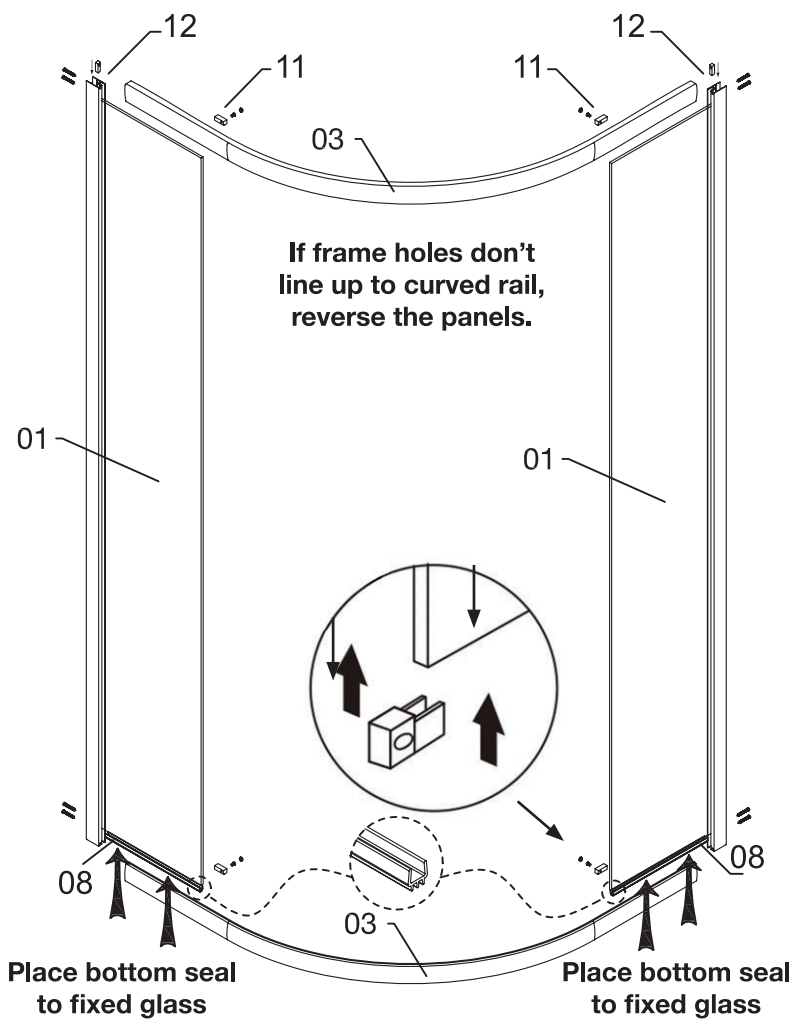
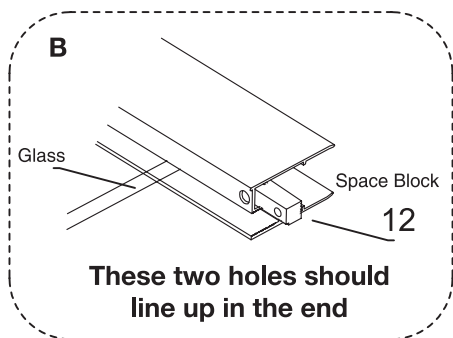
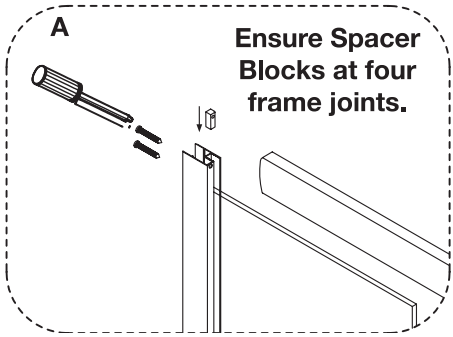
Fasten profile to wall.



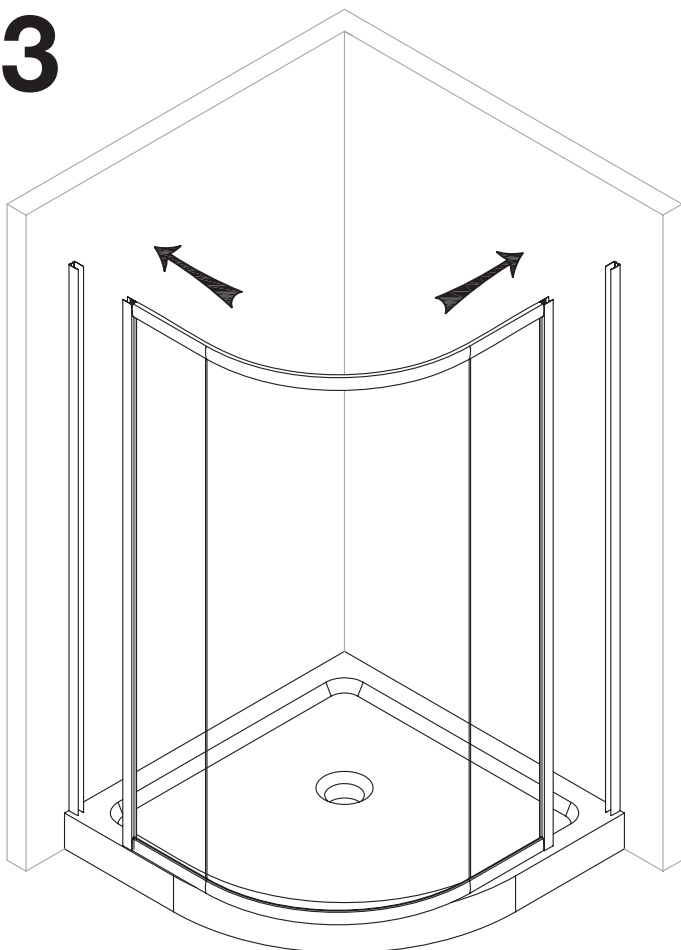
Silicone bead on back of wall channels prior to installation.

## 2 Assembly of Frame and Fixed Glass

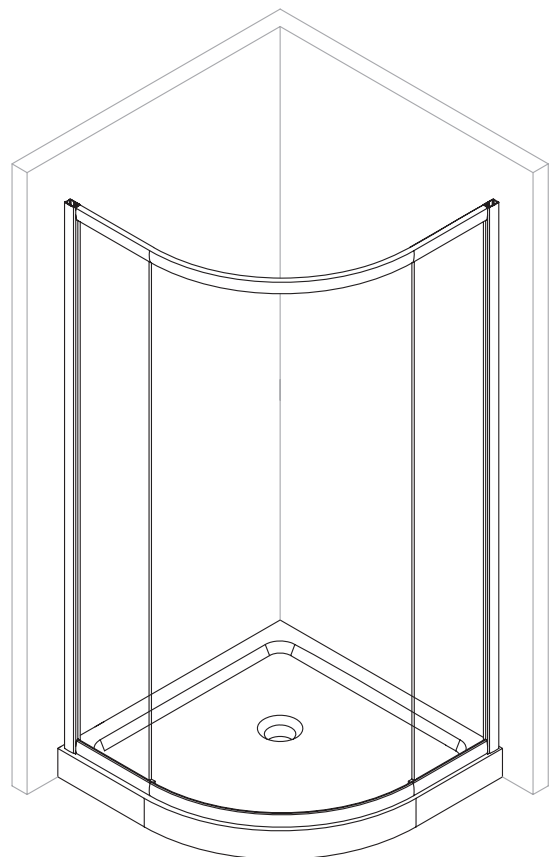
**IMPORTANT!** Complete all items in this section before Step 3



## 3

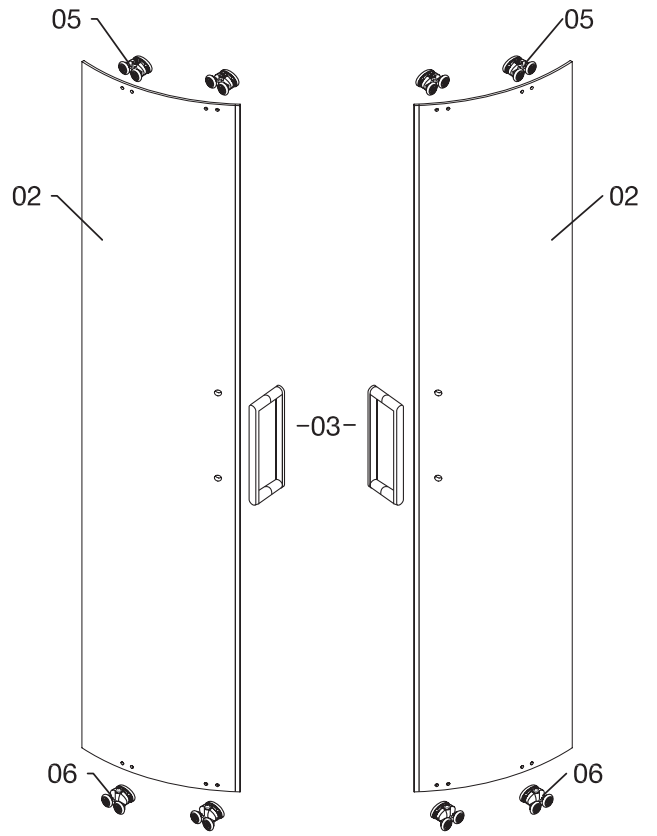
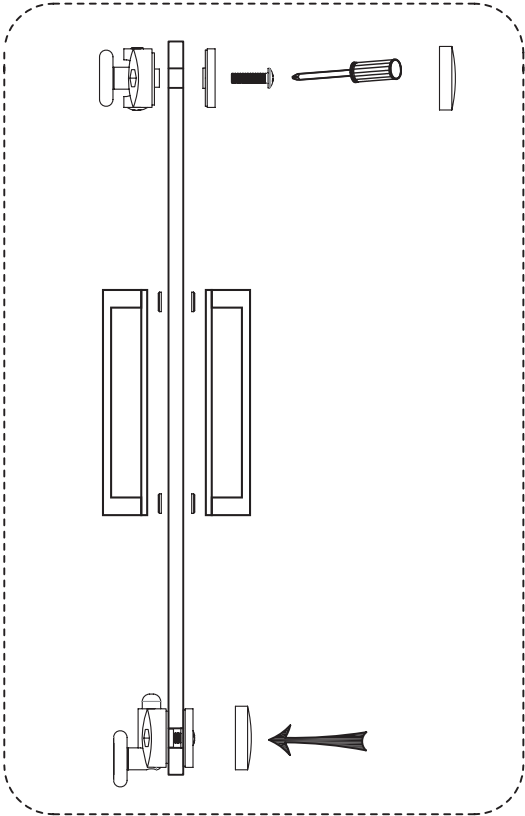


Install frame to wall profiles



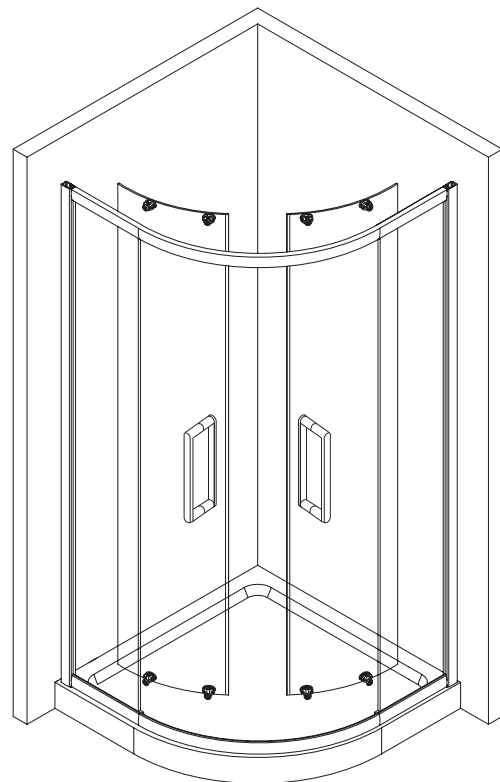
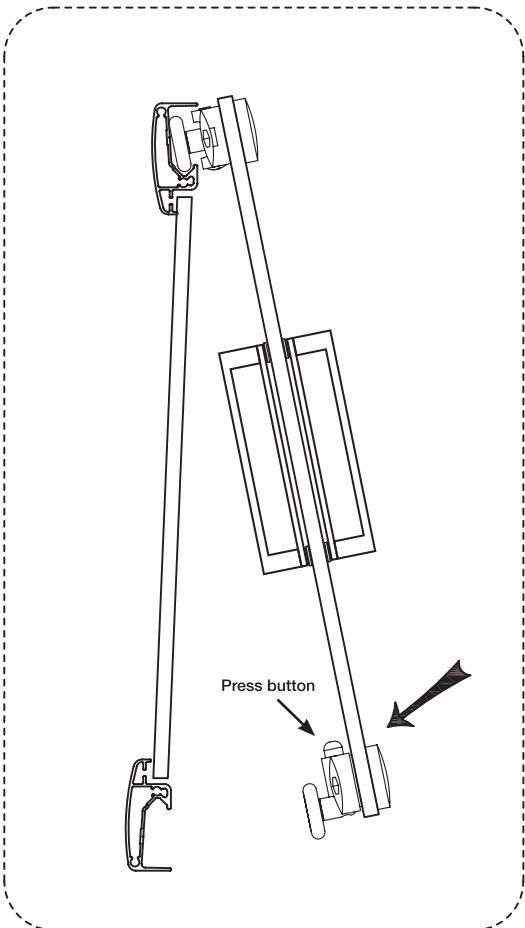
Adjust/align frame to tray edge

# 4 Door Component Details

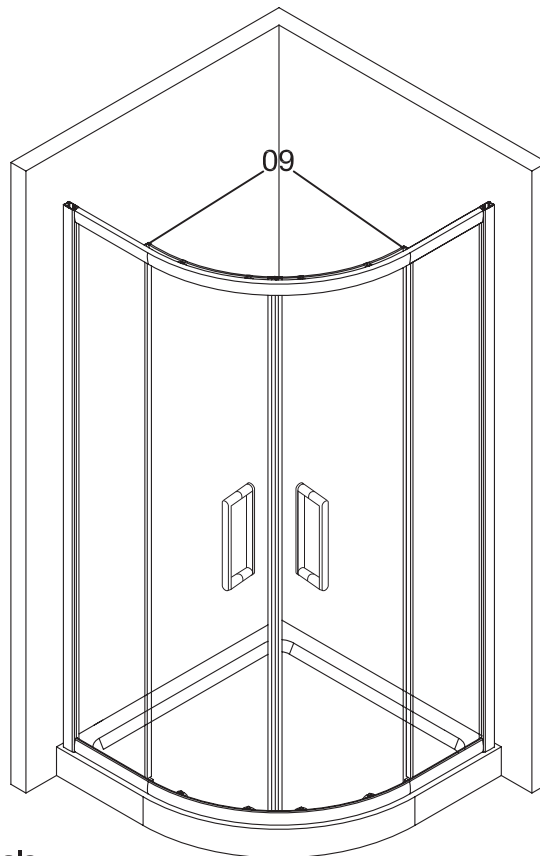
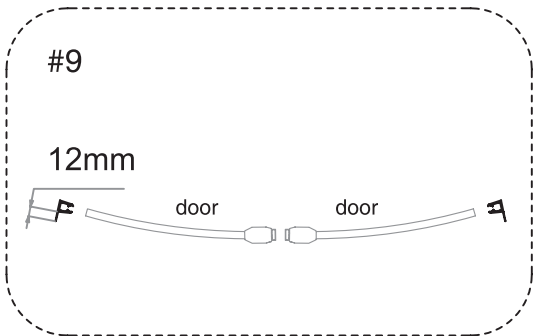
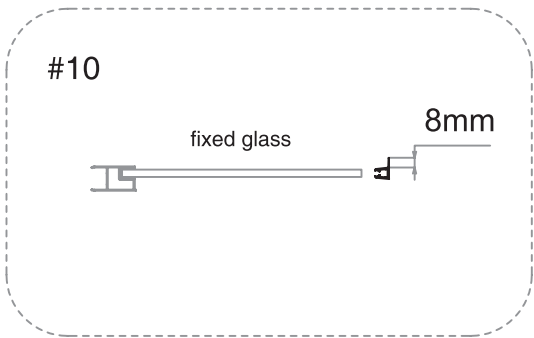


Door Parts

# 5 Door Install

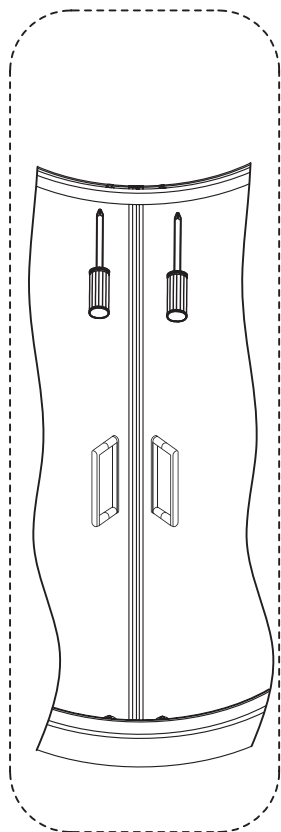


# 6 Seal Install

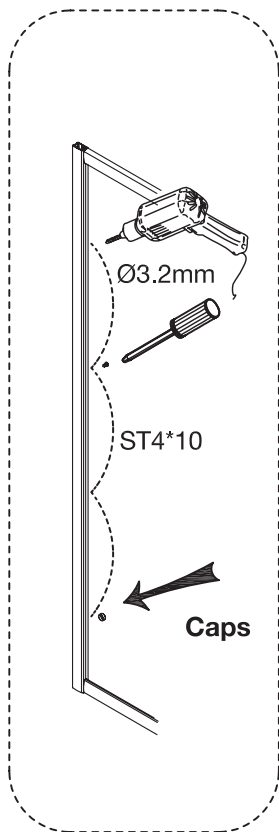


Fitting of seals

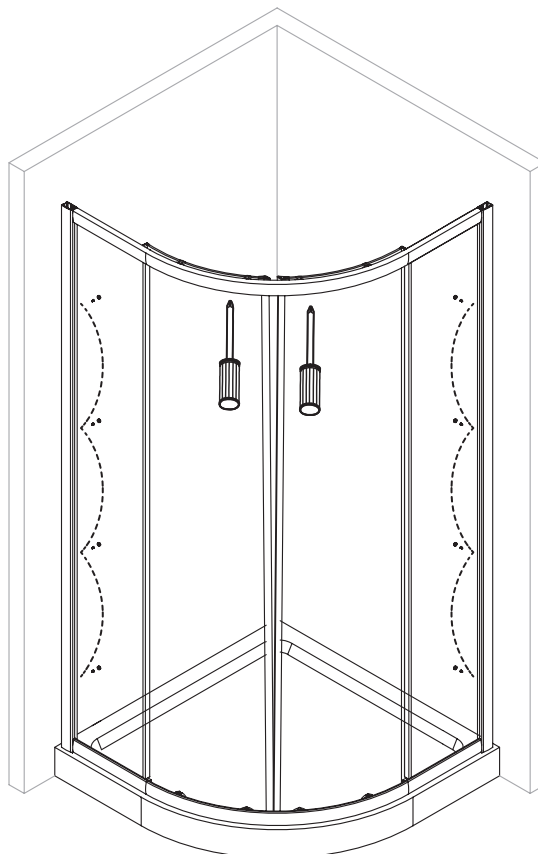
# 7 Align Frame, Plumb and secure to Wall Channel



Adjust rollers but do not over tighten.



Align shower within wall profiles. Fasten frame to wall profiles.

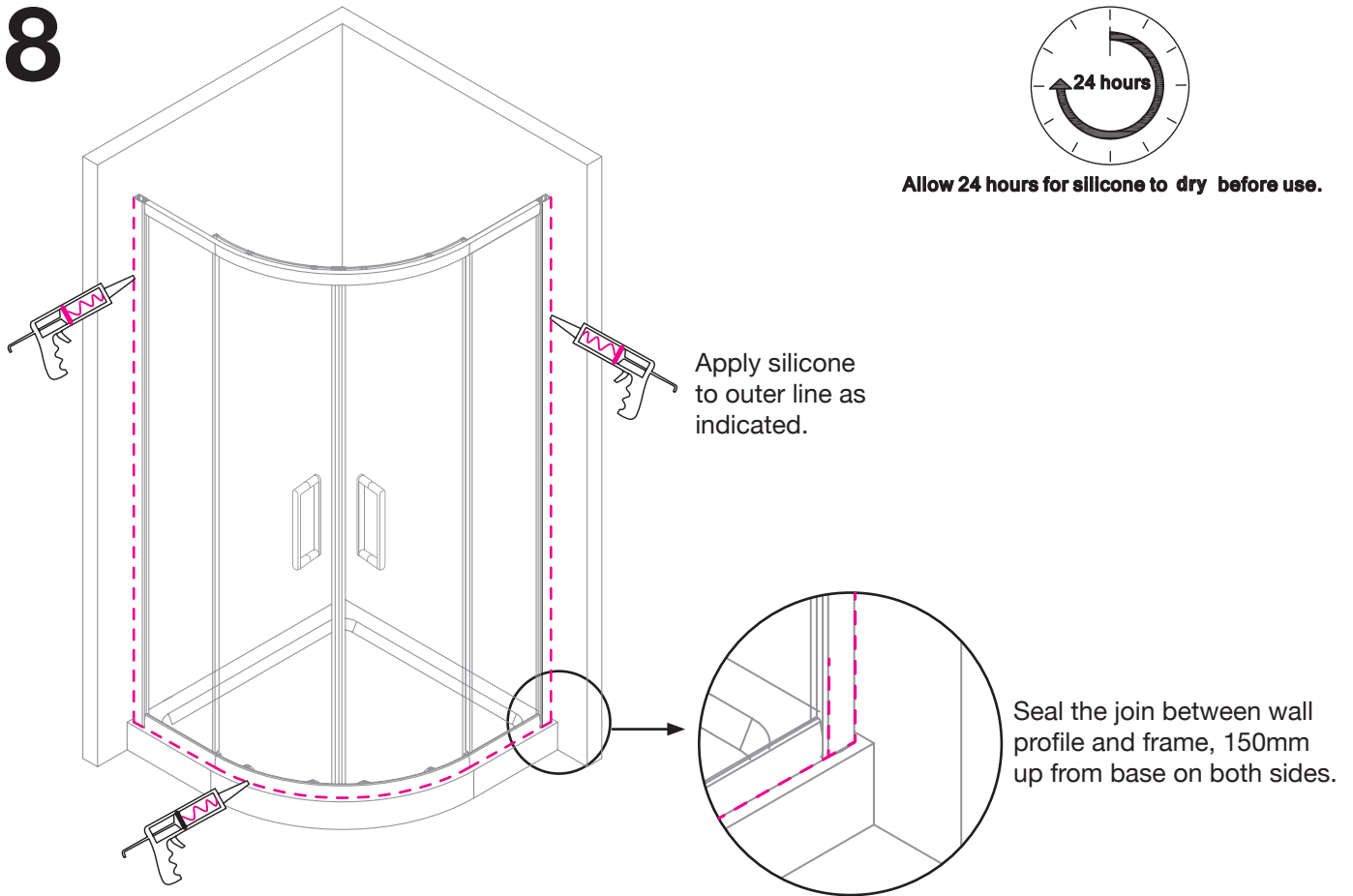


Finally adjust doors to align. Put bump stop covers on.

# 8



**Allow 24 hours for silicone to dry before use.**



## CONTACT

**NEWLINE**  
*for a lifetime!*

Freephone: 0508 639 5463 Phone: 09 444 2053 Fax: 09 443 0044

Email: [info@newline.co.nz](mailto:info@newline.co.nz) [www.newline.co.nz](http://www.newline.co.nz)