

Important!

1. When you receive your Newline shower check contents for any freight damage.
2. Advise Newline on 0508 639 5463 if any damage has occurred within 8 hours of receiving the goods so this can be rectified or a defect identified.
3. Do not install any faulty product as this will invalidate later claims.

DOOR SET / IMPORTANT INFORMATION

WARRANTY

Faulty goods are covered under warranty. Visit www.newline.co.nz for warranty information.

Breakages incurred during construction are not covered under warranty.

Installations must conform to the instructions to be covered by the warranty.

HEALTH AND SAFETY

Toughened Glass:

- Do not rework precut glass panels. Cutting or altering a glass panel will cause it to explode without warning.
- Unpack all glass assemblies. Stand glass on soft packaging on the floor and against a wall. Care must be taken not to strike any edge or corner against a hard surface as this will chip and destroy the glass panel.

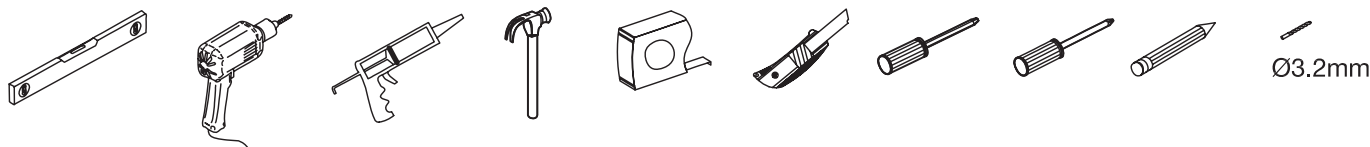
Installation:

- Glass panels and assemblies are heavy. Two man lifting is recommended for handling and installation.
- Determine positioning of wiring and piping within wall cavities before shower installation. Mark their positions to ensure electrical and piping areas are avoided.
- Wear appropriate protective clothing and eye protection during installation.

MATERIALS REQUIRED

Sika Silaflex NG translucent Silicone.

TOOLS REQUIRED



AFTERCARE

Newline recommend squeegeeing down the glass after every shower and cleaned weekly with a microfiber cloth, mild detergent and water. Rinse with clean water and squeegee and wipe dry.

ENSURE YOU TICK THE SPECIFIC BOXES THAT APPLY AS YOU PROGRESS

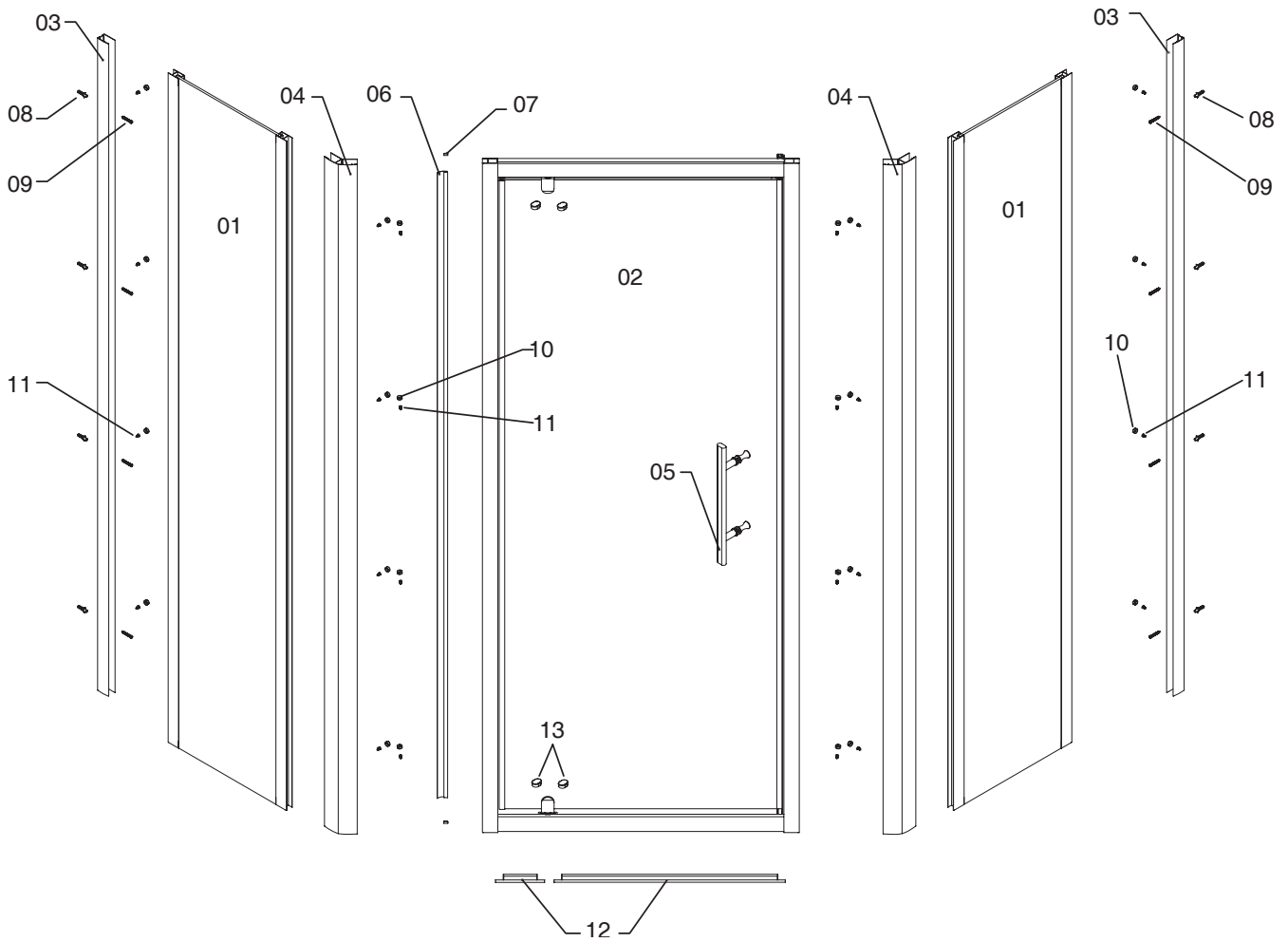
- 2-Sided Shower: Ensure the floor is level and the walls are plumb and flat.
- Position all framing for solid fixing for the shower tray, shower and plumbing fittings. Wall profiles require a stud centred 20mm back from tray outside edge.
- Ensure all plumbing items have been installed prior to the lining being attached.

ACRYLIC TRAY AND LINER OPTION

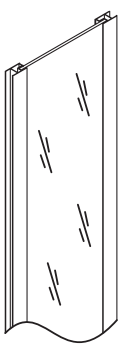
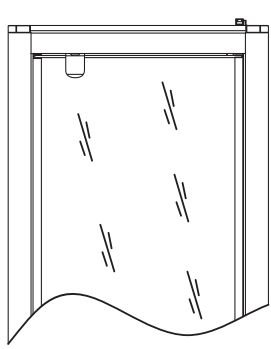
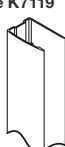
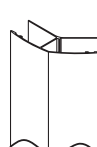

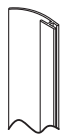
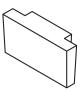




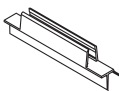

- Detailed installation instructions are packed with the shower tray for tray and lining installation.

NEWLINE RECOMMENDS A SKILLED TRADESMAN ACQUAINTED WITH SHOWER INSTALLATIONS IS USED TO ENSURE THE VERY BEST OUTCOME.

NEO SHOWER



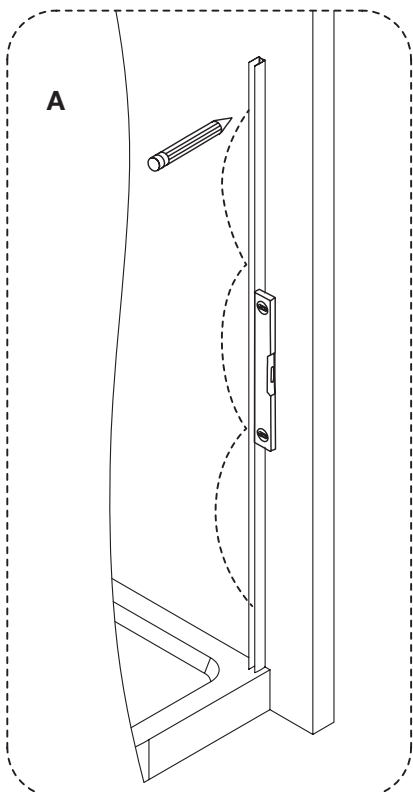
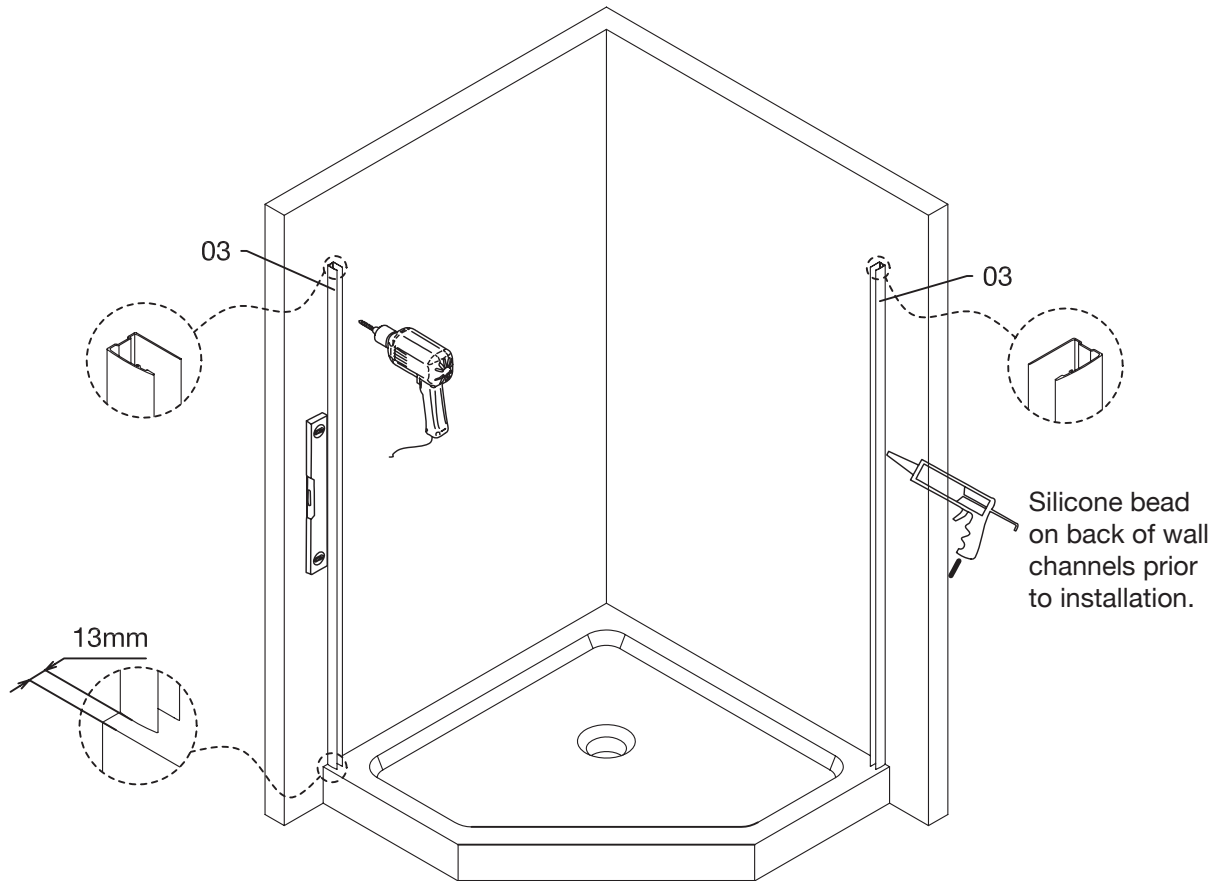
COMPONENT LIST:

							
01	02	03	04	05	06	07	
2 PCS	1 PCS	2 PCS	2 PCS	1 PCS	1 PCS	2 PCS	
Replacement Screw Pack - Chrome & White K2295							
							
08	09	10	11	12	13		
8 PCS	8 PCS	24 PCS	24 PCS	2 PCS	4 PCS		
		Wall profile Chrome K7109 White K7119		Corner post		Handle	
		Back door seal K7072		Seal end caps K3829			
		Wall plug (concrete)		Bottom door seal K6808		Pivot mounting cap	
		6*30		ST4*35		ST4*8	

SHOWER TYPE	WALL CHANNEL ADJUSTMENT	ACRYLIC TRAY
900mm *900mm	869mm (Minimum) to 889mm (Maximum)	Standard Profile
1000mm *1000mm	969mm (Minimum) to 989mm (Maximum)	Standard Profile

Walls out of plumb will not allow for full minimum / maximum options.

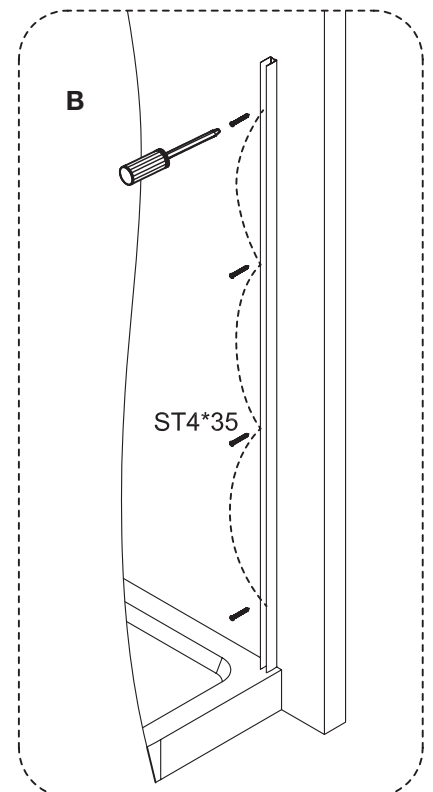
1



Mark wall profile.

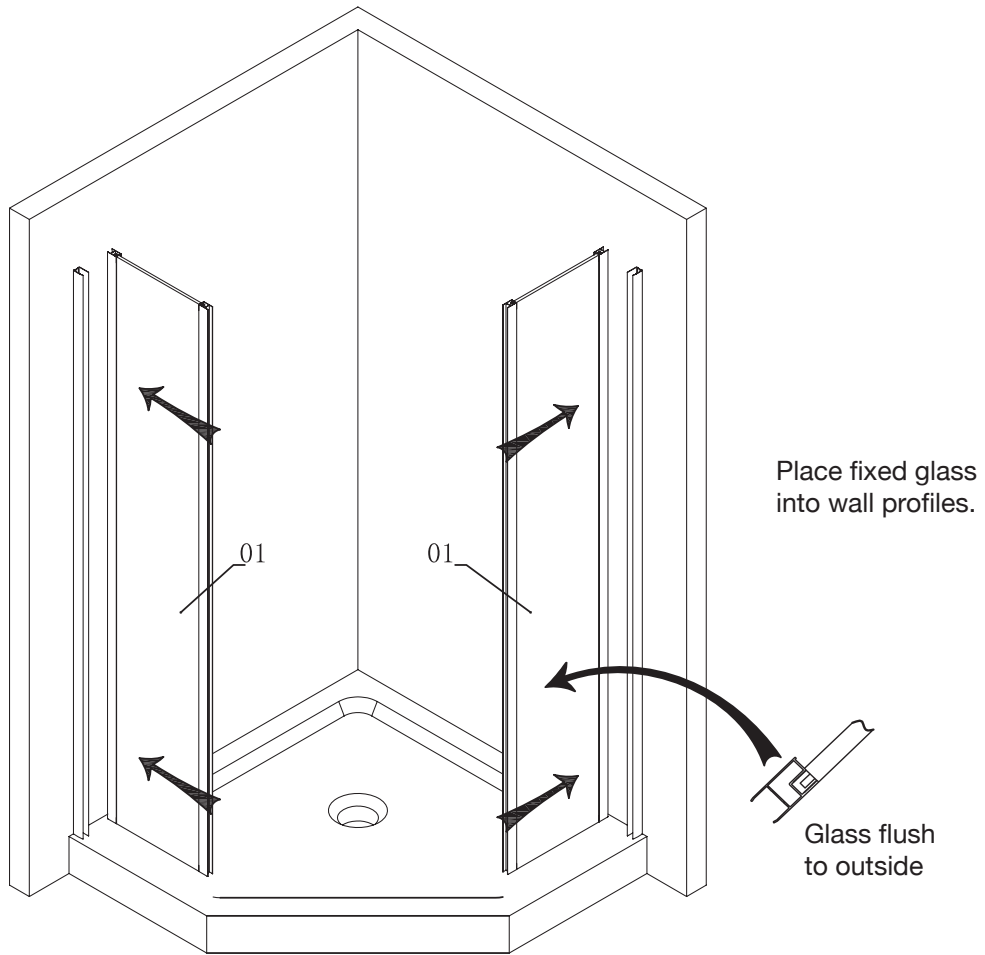
Acrylic Shower Lay-out

Position the wall channels at 13mm off the tray edge as diagram above. This allows for walls bowed or leaning inwards up to 5mm. Reduce the measurement off the tray edge if walls dictate this.

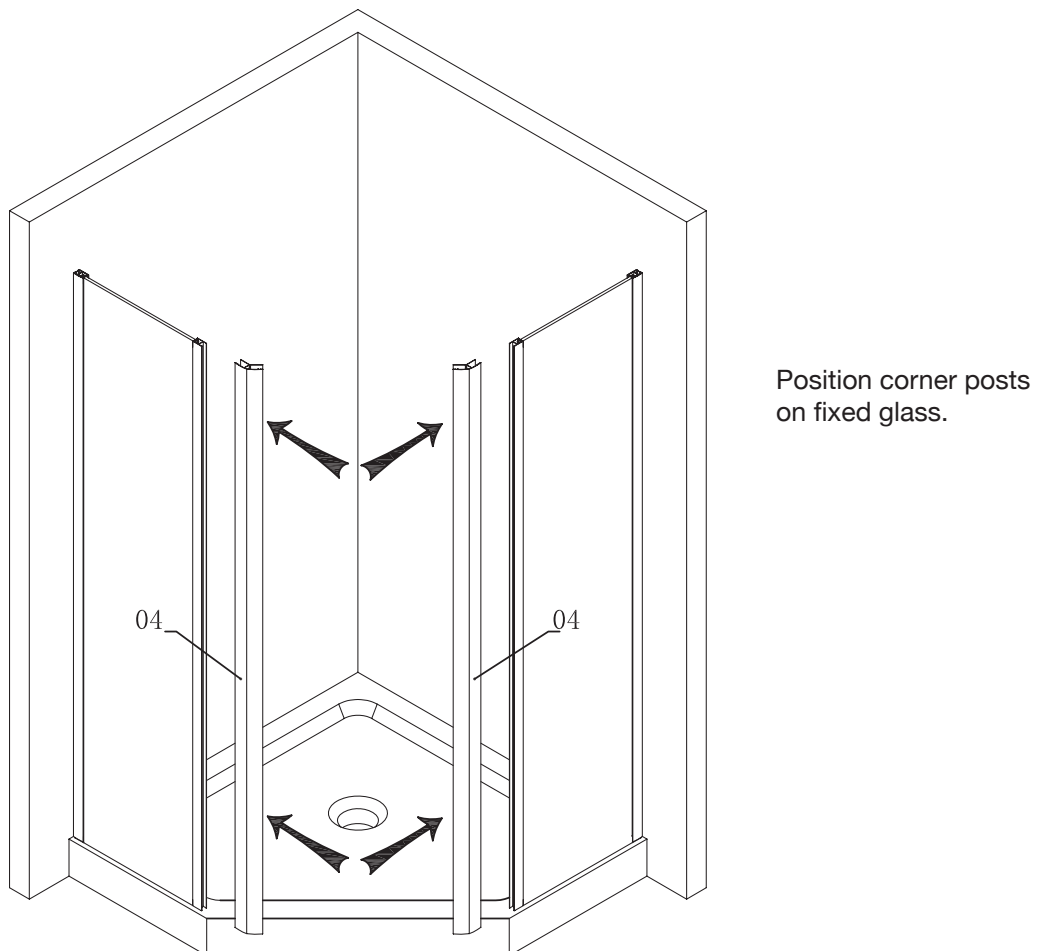


Fasten profile to wall.

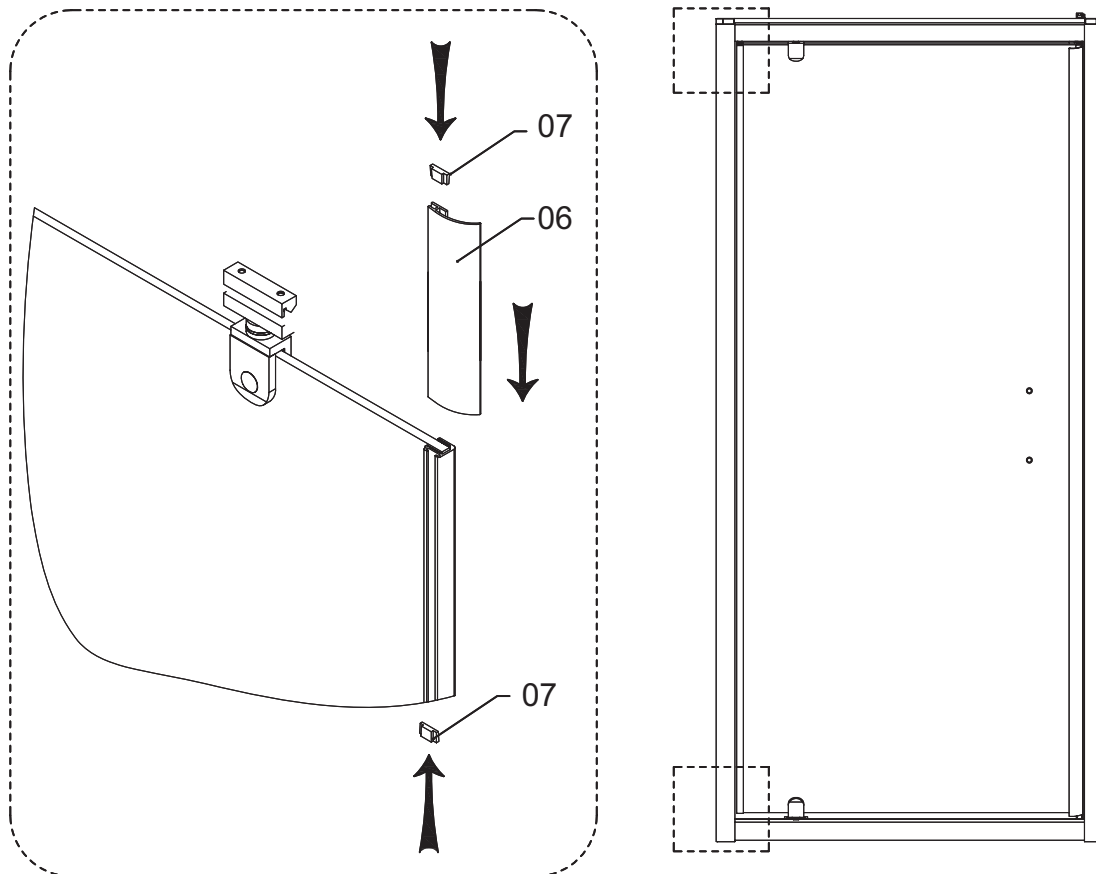
2



3

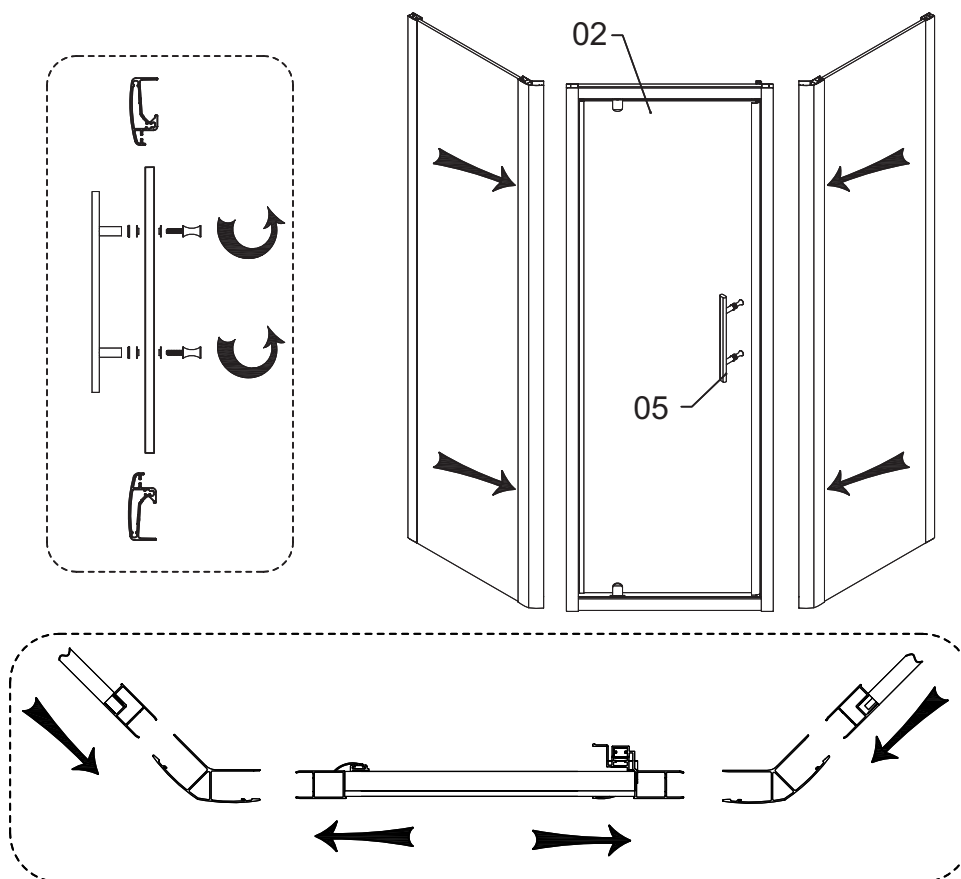


4



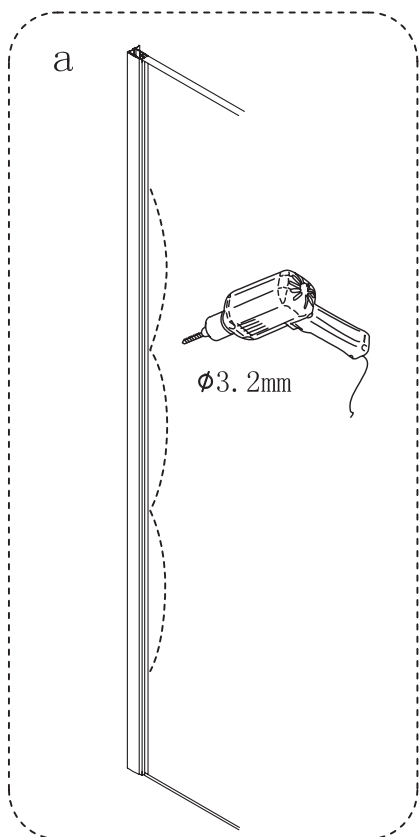
Install back of door seal and fix caps top and bottom.

5

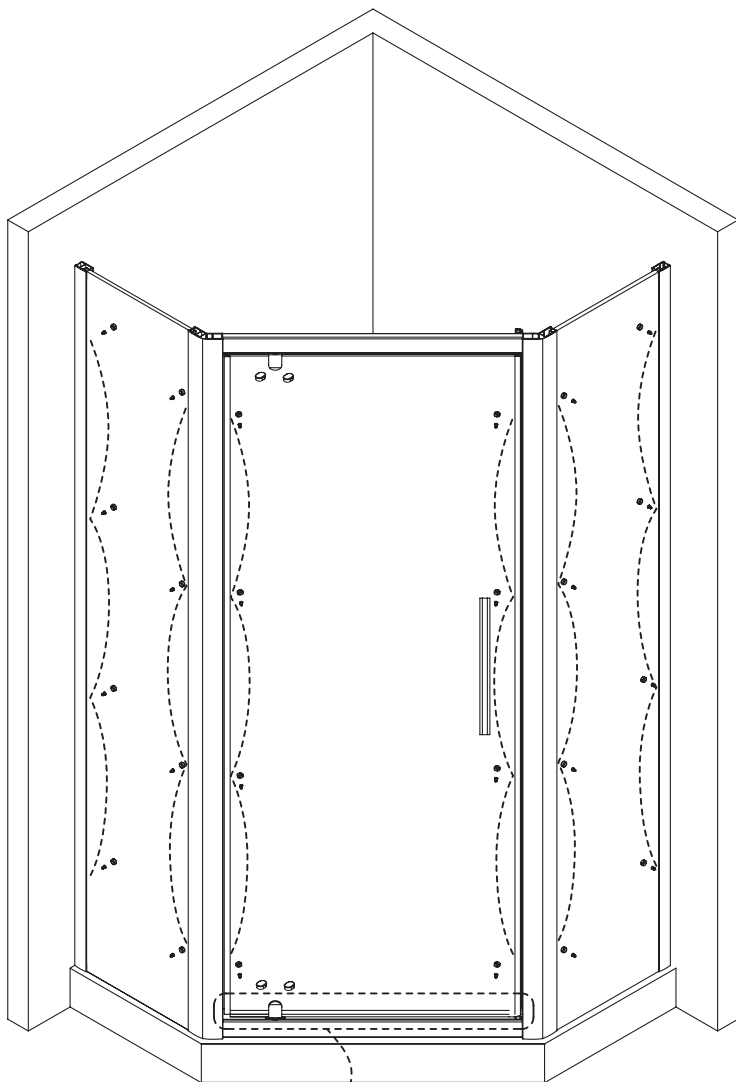


Fit door set to fixed glass.

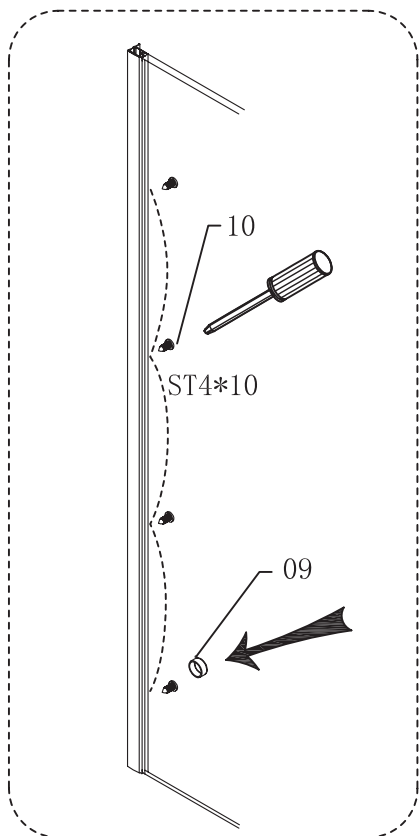
6



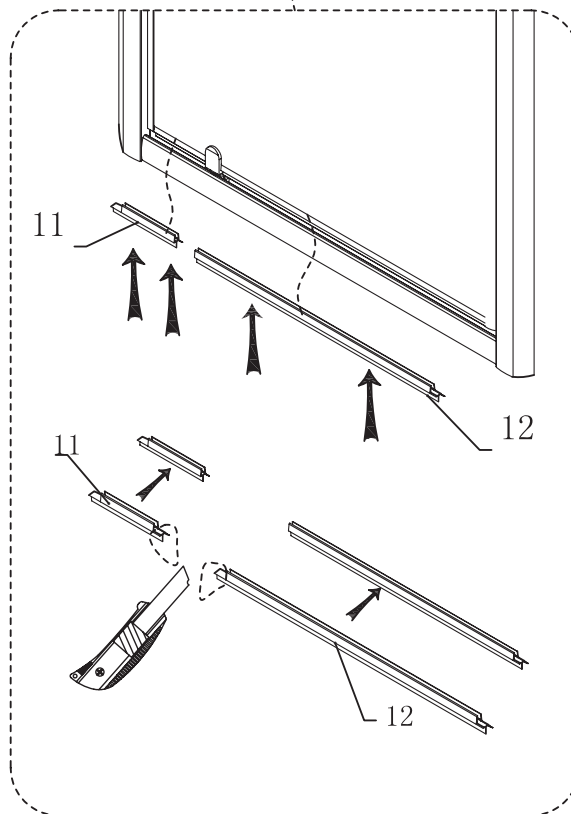
- A. Equalise shower screen to tray edge.
- B. Square up door frame, adjust pivot mounts to align door to frame.
- C. Fit pivot mounting cover caps.
- D. Drill and fasten as indicated.



7

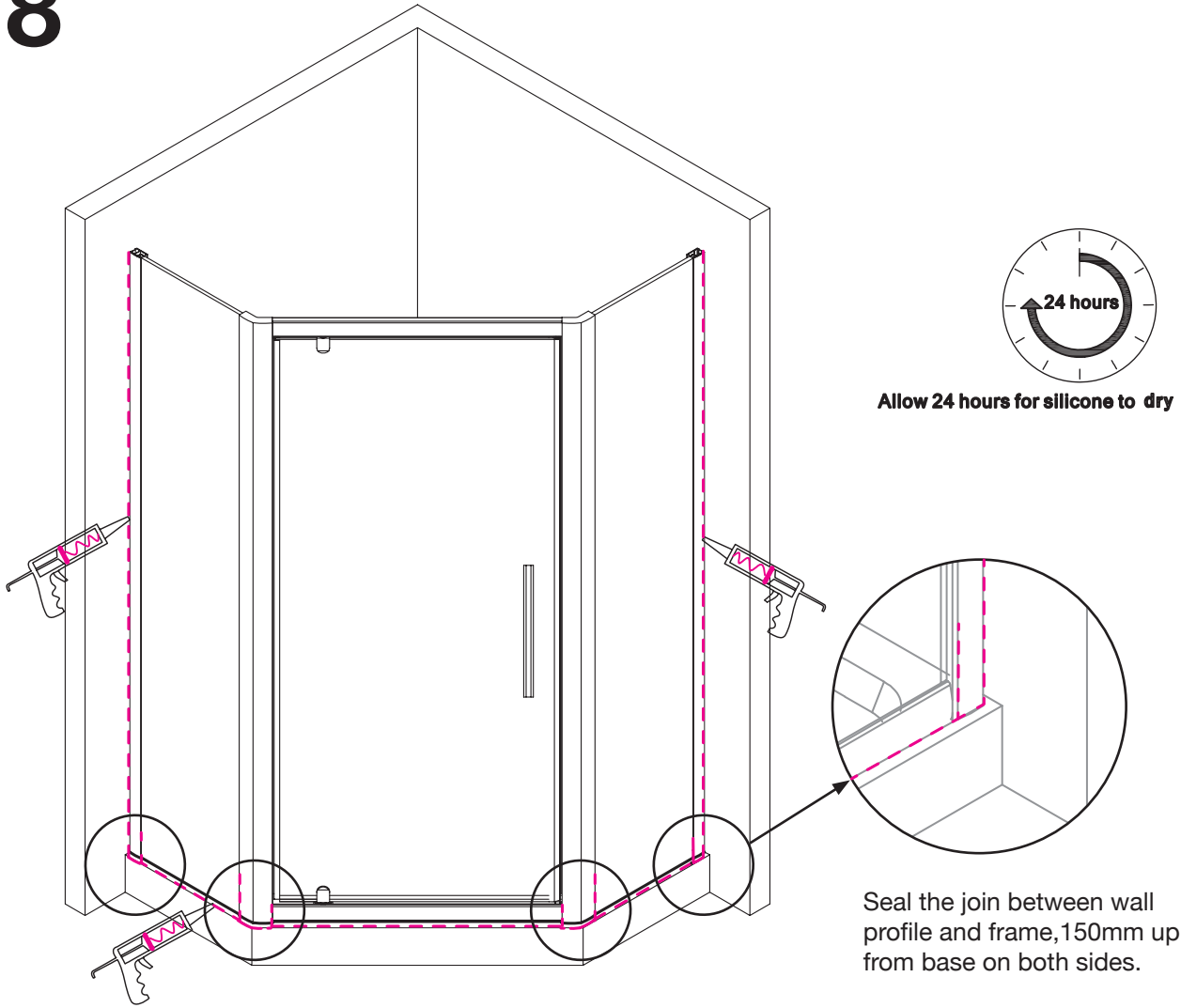


Fastening parts.



Fit bottom seals.

8



CONTACT

NEWLINE
for a lifetime!

Freephone: 0508 639 5463 Phone: 09 444 2053

Email: info@newline.co.nz www.newline.co.nz