

Standard Profile Tray | Neo



PRODUCT FEATURES

- 65mm Sill Height with 30mm Upstand
- Heavy Duty Reinforced Fiberglass Construction
- Anti-Slip Acrylic
- 10 Year Warranty

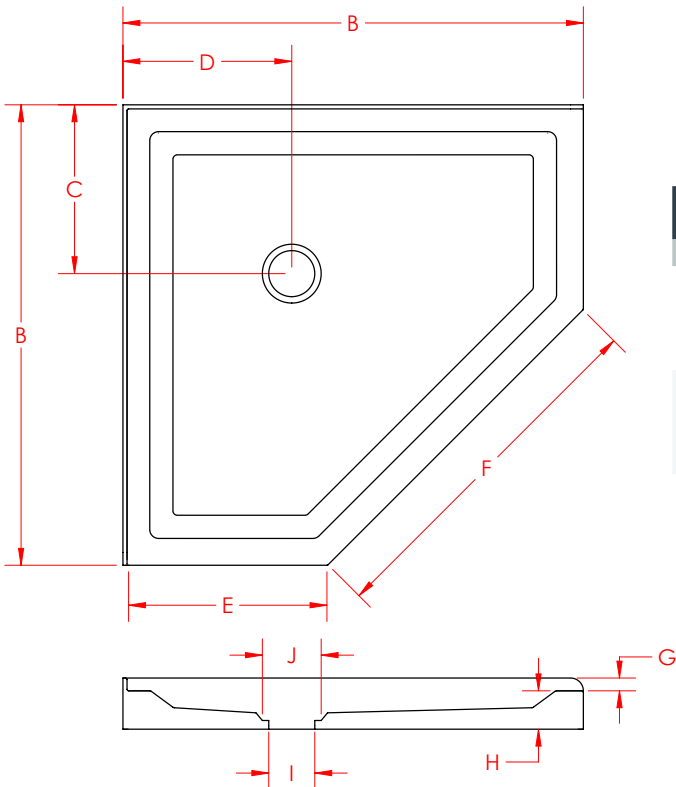
CONFIGURATIONS

WASTE TYPE



Centre

SPECIFICATIONS



	A	B	C	D	E	F	G	H	I	J
900x900	900	900	330	330	400	707	25	65	90	115
1000x1000	1000	1000	400	400	434	800	25	65	90	115

DESCRIPTION:

Newline acrylic shower trays are made using heavy duty reinforced fiberglass acrylic. Standard profile trays are 65mm high featuring a 30mm upstand. When installed, the wall lining comes down over the upstand, forming a waterproof seal with no visible silicone in the shower.

Low profile trays are designed with a sill height of 40mm and an upstand of 40mm. These trays feature the AquaCheck™ technology across the top of the tray upstand that combines to provide an anti-capillary gap. There is no provision for water tension to elevate the liquid up behind the acrylic liner.

Newline acrylic trays are suitable for use in 2-Sided, Alcove, Curved and Neo shower enclosures. They are available in a range of standard sizes from 750x750mm up to 1500x915mm.

CONTRIBUTIONS TO COMPLIANCE

E3.3.2 and 3.3.5 and 3:3.6: Newline acrylic trays are designed with adequate fall to dispose of water through the waste outlet. Made from easy clean, sanitary acrylic, standard profile trays feature a 30mm upstand, over which the liner protrudes to form a waterproof seal. Low profile trays feature the AquaCheck technology, sealing the top of the tray upstand to provide an anti-capillary gap. There is no provision for water tension to elevate the liquid up behind the acrylic liner.

B2.3.1 (c) (i) and (ii) and B2.3.2 (b): Newline Acrylic Trays have a warranted durability of 10 years when maintenance standards are adhered to. Trays are installed as components of a building system and can be replaced without removing building elements that have greater durability. Refer to installation guides and Aftercare Document for further information.

G1.1 (a) and G1.3.2: Newline Acrylic Trays are made from easy clean, anti-slip acrylic. Regular cleaning routines to maintain hygienic standards are outlined in Aftercare and Maintenance document. Trays require adequate disposal via waste outlets, refer to installation manual for further information.

SCOPE OF USE

Newline Acrylic Trays are intended for use in the following environments:

- Newline Acrylic Shower Trays are intended for use in the following environments: Domestic and commercial bathrooms, including homes, government housing, hotels, apartments.
- Suitable for use with cold and hot water.
- Used on a level floor surface prepared as per installation instructions.

WARNINGS AND BANS

This product is not subject to warning or bans under section 26 of the Building Act 2004.

CONTACT DETAILS

Location: NZ for Local and Imported Products

Legal and Trading Name of Manufacturer: Newline Group Ltd

Importer Address for Service: 54 Unutoto Place, Tauranga, 3171

Importer Website: newline.nz

Importer Email: info@newline.co.nz

Importer Phone Number: 0508 NEWLINE

CONDITIONS OF USE

- Newline acrylic trays are intended for use under regulated water temperature that does not exceed 55 degrees Celsius.
- Must be installed in accordance with Newline Acrylic Wall and Tray Installation Manual.
- Cleaning products including bleaches, solvents, alcohol, citrus based chemicals, bath oils, and/or any abrasive cleaner shouldn't be used. Full list is outlined in Aftercare Document.
- Should be installed by an experienced shower installer or tradesman to ensure best outcome.

SUPPORTING DOCUMENTATION

The following additional documentation supports the above statements:

[Aftercare and Maintenance Doc](#)

[Warranty Information](#)

[Acrylic Tray Instruction Manual](#)

[Low Profile](#)

[Standard Profile](#)