

CODES: G9656
G9649

Important!

1. When you receive your Acclaim shower check contents for any freight damage or defect.
2. If this is a Custom Order the size will be in the outside of the box. Check this is correct.
3. Advise Newline on 0508 639 5463 if any damage has occurred or questions on the size within 8 hours of receiving the goods so this can be rectified.
4. Do not install any faulty product as this will invalidate later claims.

DOOR SET / IMPORTANT INFORMATION

WARRANTY

- Faulty goods are covered under warranty for 5 years. Visit www.newline.co.nz for warranty information.
- Breakages incurred during construction are not covered under warranty.
- Installations must conform to the instructions to be covered by the warranty.

HEALTH AND SAFETY

Toughened Glass:

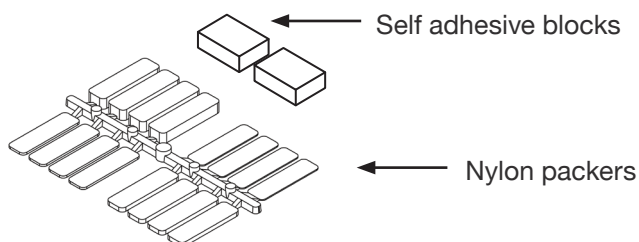
- Do not rework precut glass panels. Cutting or altering a glass panel will cause it to explode without warning.
- Unpack all glass assemblies. Stand glass on soft packaging on the floor and against a wall. Care must be taken not to strike any edge or corner against a hard surface as this will chip and destroy the glass panel.

Installation:

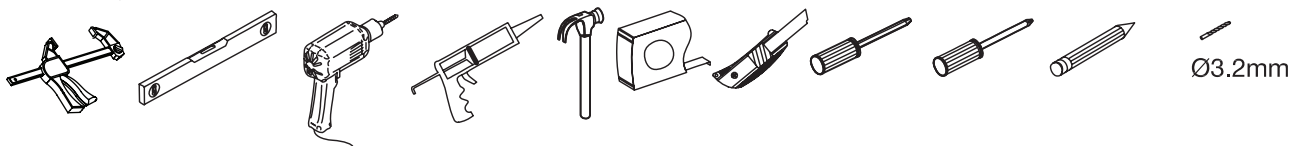
- Glass panels and assemblies are heavy. Two man lifting is recommended for handling and installation.
- Determine positioning of wiring and piping within wall cavities before shower installation. Mark their positions to ensure electrical and piping areas are avoided.
- Wear appropriate protective clothing and eye protection during installation.
- The instructions focus on a safe functioning shower. Ensure you follow the steps provided.

MATERIALS SUPPLIED

- 1x Silicone Bostik V60
- 1x Self-Adhesive Acrylic Packers
- 2x Nylon Packers



TOOLS REQUIRED



AFTERCARE

Go to <https://newline.nz/resources/> and click the AFTERCARE icon to view the instructions.

NEWLINE RECOMMENDS A SKILLED TRADESMAN ACQUAINTED WITH SHOWER INSTALLATIONS TO ENSURE THE VERY BEST OUTCOME.

PREPARATION CHECKLIST

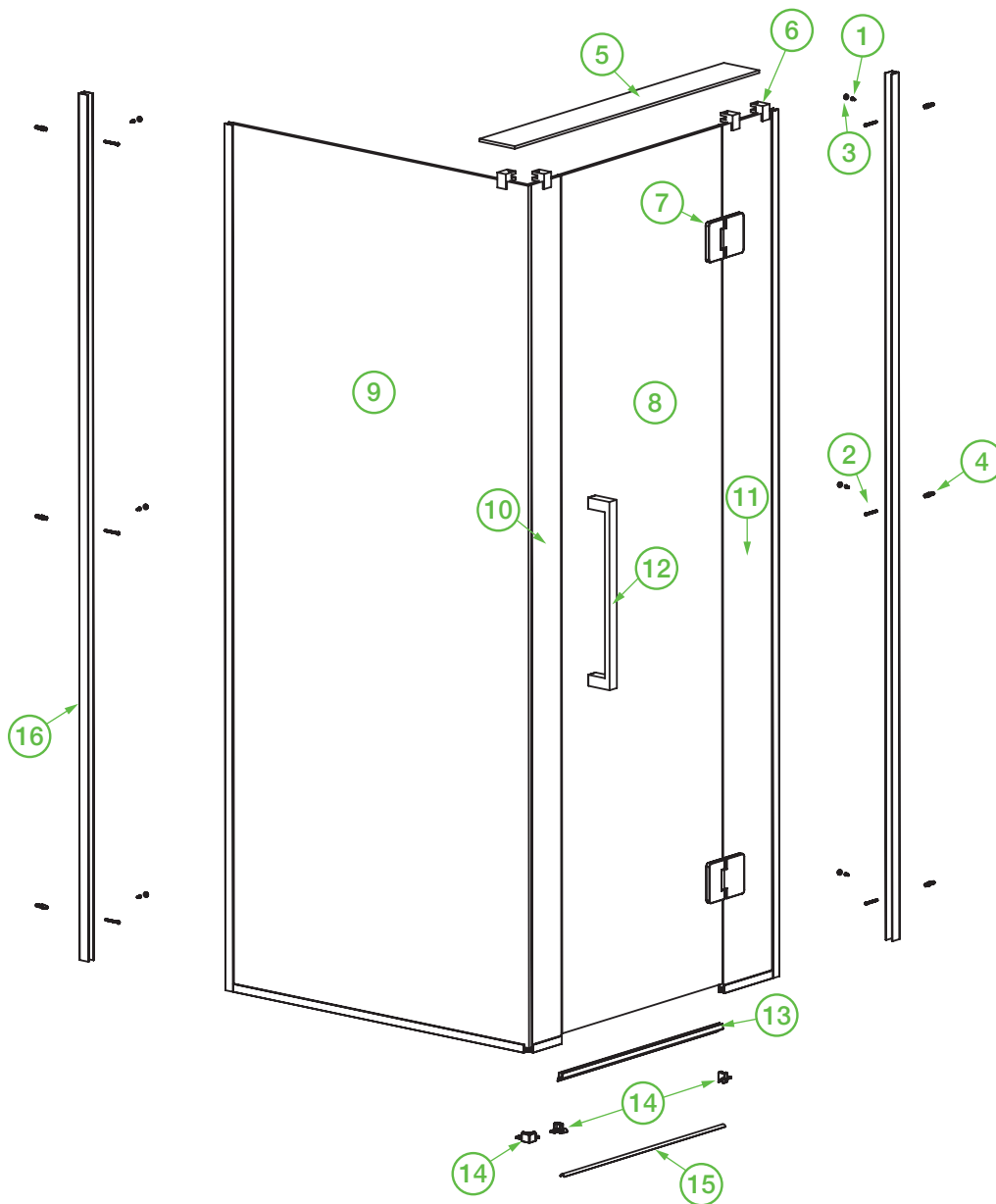
ENSURE YOU TICK THE SPECIFIC BOXES THAT APPLY AS YOU PROGRESS

- Floor & Walls:** Floor must level with no deflection and walls plumb and flat. This is of all importance for a successful installation.
- Tray and Liner:** Instructions for tile trays or acrylic trays & liner are supplied with the specific tray ordered.
- Frame:**
 1. **Wall Profile Options**
 - Acrylic Tray: centred 20mm off outside of tray edge
 - Hob Tile Tray: centred 45mm off finished tile edge (this will allow 32mm off tray before tiling)
 - Level Entry: centred at the transition line (where slope begins)
 2. **Solid fixings for wall mounted plumbing fittings**
 - Consult with the plumber
- Wet Grade Lining:** Aqualine Gib or equivalent “must be used behind all shower installations for compliance”.
- Plumbing:**
 1. Use a registered plumber for installation of all supply and waste items prior to tray and wall linings.
 2. Do not have shower rose facing at the door. Exception: An application where rose is 1200mm back from door as a minimum and water volumes regulated accordingly.
- Waterproofing “ProFinish Tile Trays”:** This must comply with AS/NZS 4858:2004 and be undertaken by certified applicator and a Producer Statement provided. There is a list of proven systems on our website www.newline.co.nz
- Tiling:**
 1. Newline requires the use of complete systems by licenced/trained applicators. Waterproofing, Tile Adhesive, Grouting and Silicone detailing for full accountability and performance requirements.
 2. The tiles must conform to gradients provide with the “ProFinish Tile Tray” to comply to NZ Building Code.
 3. The line where shower frame sits must be level for an acceptable install of the shower.

INDEX

- Page 4** Exploded View Diagram & Component List 2-Sided - Chrome & Black
- Page 5** Exploded View Diagram & Component List 3-Sided Alcove - Chrome & Black
- Page 6** Layout Page: 2-Sided
- Page 7** Frame Dimension Table
- Page 8** Layout Page: 3-Sided Alcove (Includes specifics of Alcove)
- Page 9-13** 2-Sided Installation Steps 2 to 7

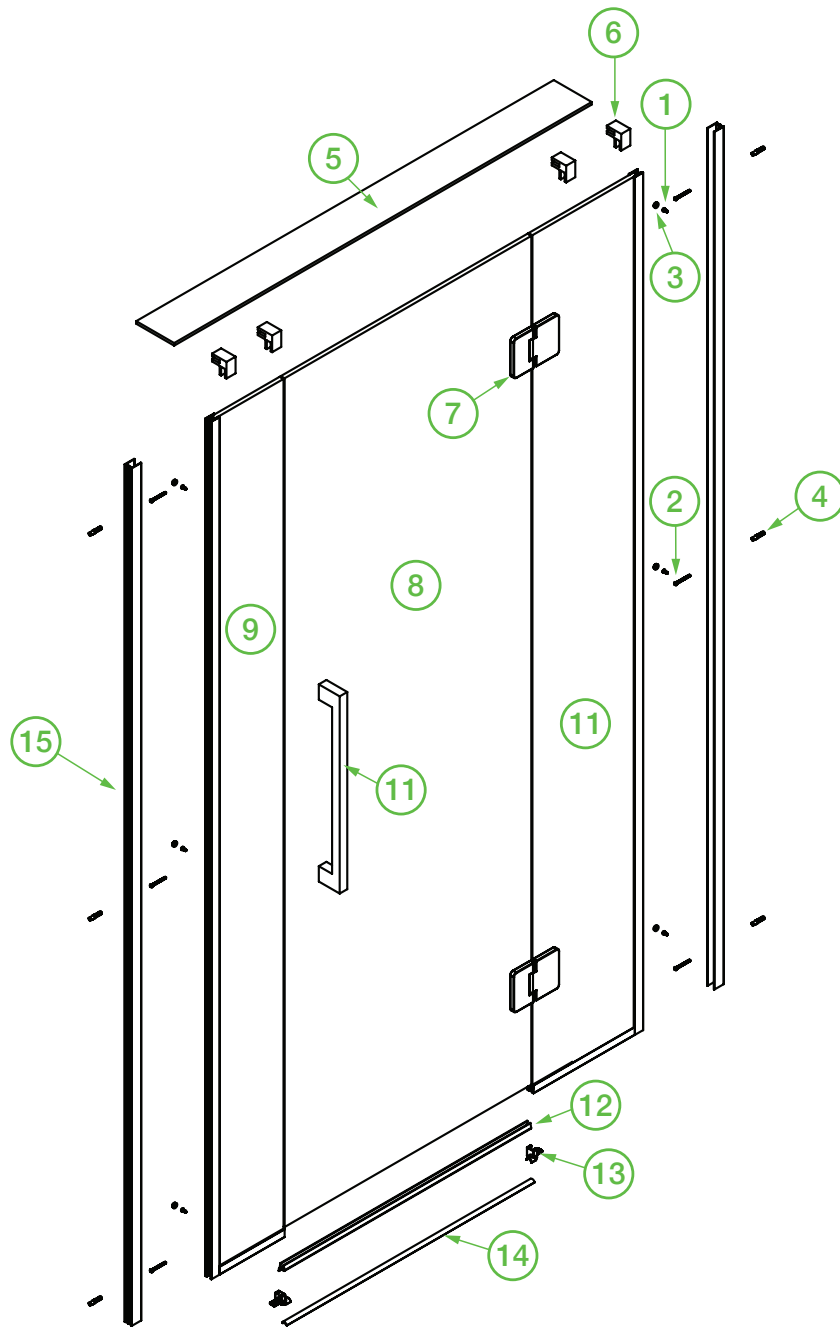
EXPLODED VIEW 2-SIDED — CHROME & BLACK



ACCLAIM SHOWER 2-SIDED COMPONENT LIST — CHROME & BLACK

PART ID	Description	PART NO.		QTY	PART ID	Description	PART NO.		QTY
		CHROME	BLACK				CHROME	BLACK	
1	6 Gauge x 12 sq screws	Fastening Kit	H1665	6	10	Fixed Front Panel			1
2	6 Gauge x 40mm screws				11	Hinge Glass Panel			1
3	Screw Caps				12	Handle - Curved or	H5498	H6379	1
4	Wall Plugs			6	Handle - Linear	H5542	H5504	1	
5	Lintel Glass			1	13	Bottom Door Seal	I5979	I5979	1
6	Lintel Clips	H5412	H5405	4	14	Clip Pack	H6331	H6348	4
7	Hinges	H5221	H9960	2	15	Threshold Water Bar - 2 sizes 553 or 653mm			2
8	Door - 2 sizes 550 or 650mm			1	16	Wall Profile	A1887	A6799	
9	Return Glass Panel			1					

EXPLODED VIEW 3-SIDED ALCOVE LAYOUT – CHROME & BLACK



ACCLAIM SHOWER 3-SIDED ALCOVE COMPONENT LIST – CHROME & BLACK

PART ID	Description	PART NO.		QTY	PART ID	Description	PART NO.		QTY
		CHROME	BLACK				CHROME	BLACK	
1	6 Gauge x 12 sq screws			6	9	Fixed Front Panel			1
2	6 Gauge x 40mm screws			6	10	Hinge Glass Panel			1
3	Screw Caps			6	11	Handle - Curved or	H5498	H6379	1
4	Wall Plugs			6		Handle - Linear	H5542	H5504	1
5	Lintel Glass			1	12	Bottom Door Seal	I5979	I5979	1
6	Lintel Clips	H5412	H5405	4	13	Clip Pack (corner clips are surplus)	H6331	H6348	4
7	Hinges	H5221	H9960	2	14	Threshold Water Bar - 2 sizes 553 or 653mm			1
8	Door - 2 sizes 550 or 650mm			1	15	Wall Profile	A1887	A6799	2

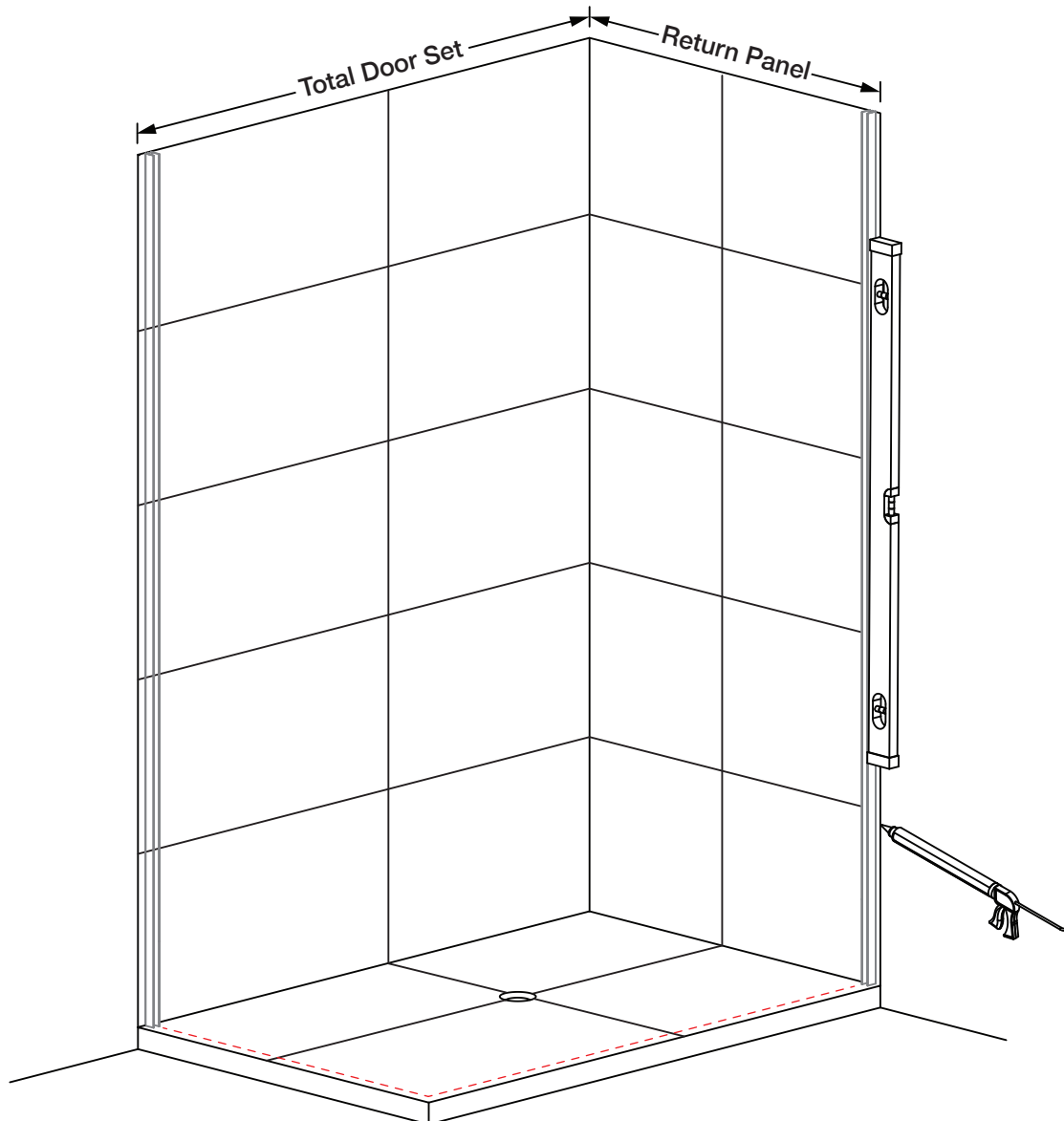
INSTALLATION 2-Sided Layout

STEP 1

- Identify your installation measurement from the Frame Dimensions Table on the next page. Mark out the position of the outside of the wall profiles. The base channels (dotted line) is 2mm inside this.
- If this is a custom order the size will be printed on the outside of the packaging.
- Silicone bond wall profiles to tiles (review note below).

PENETRATION OF WATERPROOFING UNDER TILES

Waterproofing warranties are potentially void with penetrations of membrane. Bond wall profiles with Bostik V60. Minimum curing 24 hours (2mm to 3mm). Curing is by atmospheric moisture absorption (approx. 7mm in 7 days).



INSTALLATION Frame Dimensions Table

	ProFinish Tray Size (Before tiling)	Frame Dimensions Measured to outside of frame (mm).	
2-Sided Square	900 x 900	870	870
	1000 x 1000	970	970
	1100 x 1100	1070	1070
	1200 x 1200	1170	1170
2-Sided	900 x 1000	870	970
	900 x 1100	870	1070
	900 x 1200	870	1170
	1000 x 900	970	870
	1000 x 1100	970	1070
	1000 x 1200	970	1170
	1100 x 900	1070	870
	1100 x 1000	1070	970
	1100 x 1200	1070	1170
	1200 x 900	1170	870
	1200 x 1000	1170	970
	1200 x 1100	1170	1070
	1300 x 900	1270	870
	1300 x 1000	1270	970
	1300 x 1100	1270	1070
	1300 x 1200	1270	1170
	1400 x 900	1370	870
	1400 x 1000	1370	970
	1400 x 1100	1370	1070
	1400 x 1200	1370	1170
1400 x 1300	1370	1270	
1500 x 900	1470	870	
1500 x 1000	1470	970	
1500 x 1100	1470	1070	
1500 x 1200	1470	1170	
Encore	930 x 930	900	900
	1030 x 1030	1000	1000
	1230 x 930	1200	900
	1230 x 1030	1200	1000

Listed Frame Dimension: This has adjustment of plus or minus 5mm.

Custom Orders: Dimensions are printed on package. Also has adjustment of plus or minus 5mm..

INSTALLATION 3-SIDED ALCOVE LAYOUT

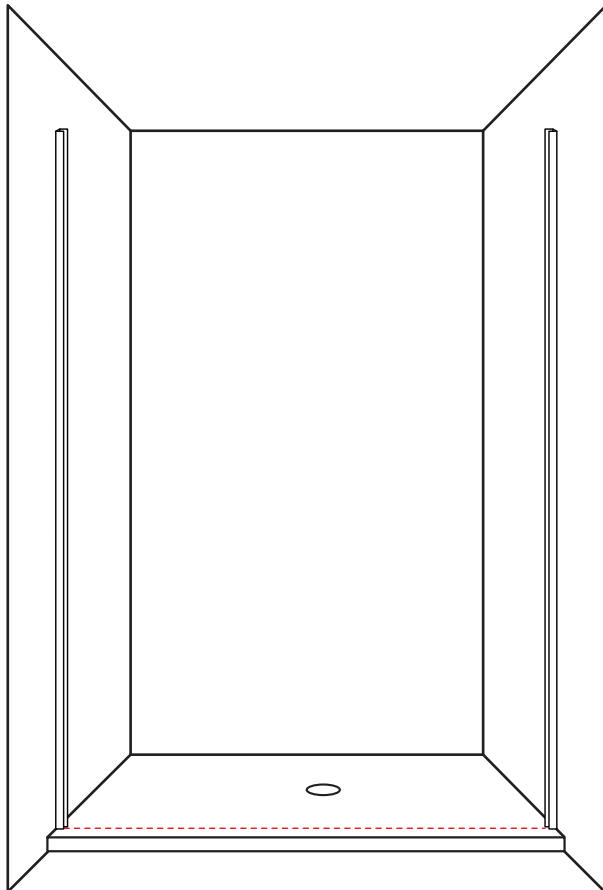
STEP 1

This diagram covers tile applications and guidance.

- Hob Tray: Positioning will be approx. 35mm to 40mm off outside edge (check table below first).
- Tile Tray Level Entry: Place frame over the transition line where the decline begins.

PENETRATION OF WATERPROOFING UNDER TILES

Waterproofing warranties are potentially void with penetrations of membrane. Bond wall profiles with Bostik V60. Minimum curing 24 hours (2mm to 3mm). Curing is by atmospheric moisture absorption (approx. 7mm in 7 days).



Steps below are distinct to 3-Sided Alcove applications

Refer to Table B below for Door Set sizes.

1. Establish an outer boundary line (dotted) across the base and up each wall.
2. On each side bond the wall profiles. Check bonding details as outlined in the shaded section above.
3. Place the fixed glass panels into the wall profiles.
Note: The door will be hinged nearest to the shower rose.
4. Determine the door size: either 550, 600, or 650mm. Gap either side of door is 2.5mm to 3mm max.
5. Plumb off the fixed glass edges.
6. Fit glass lintel in position with clamps to hold the fixed glass in position. Refer to specific details—step 4, bottom of page 11.

All installation steps can now be followed from the 2-Sided steps eliminating the return panel details.

TABLE B - Door Set 3-Sided Alcove Acclaim

Approximate width between finished walls. Variables are due to tile and adhesive thickness.

ProFinish Tray Size (Before tiling)	Door Set Width (mm)
900	880
1000	980
1100	1080
1200	1180
1300	1280
1400	1380
1500	1480

Frame Dimensions: There is adjustment of plus or minus 5mm each side.

Custom Orders: The door set width will be printed on the outside of the packaging. Adjustment +/-5mm.

INSTALLATION

CAUTION:

Fit return glass and front fixed hinge panel glass progressively into the wall profiles. *Horizontal scratches will show on the glass profile if fitting requires shifting out.*

STEP 2

- Fit up return glass panel and front fixed hinge panel approximately halfway into the wall profiles.
Note: The door will be always hinged nearest to the shower rose; Diagram C1.
- Select the correct corner clip as indicated in Diagram C2.

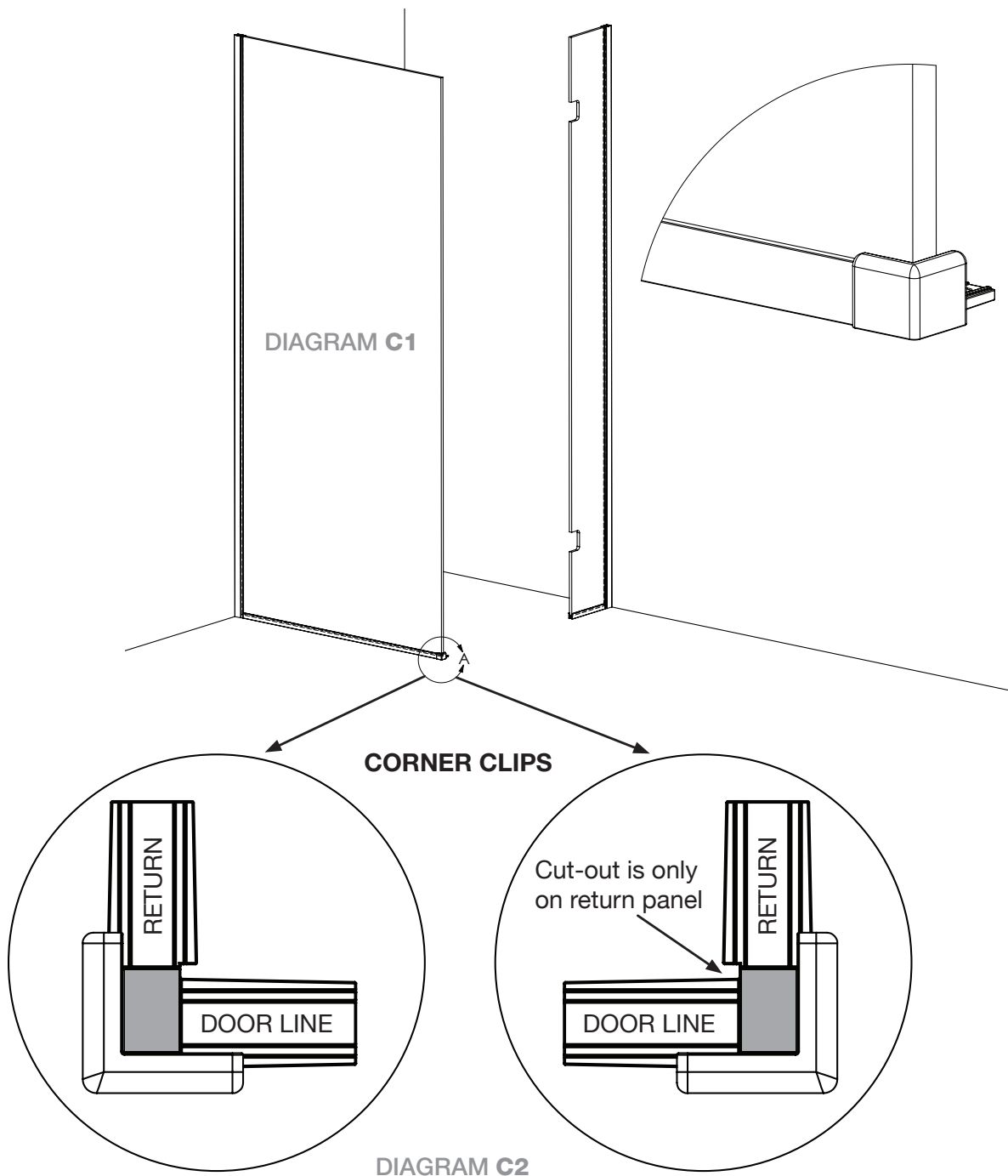


DIAGRAM C2

IMPORTANT!

Be sure you select the right clip for your corner.
Of the two options provided only one will work.

INSTALLATION

STEP 3

- Take the small fixed glass front panel with the backing tape still on the adhesive strip. Trial fit corner clip and small glass panel to ensure it is fitting correctly.
- Attach adhesive blocks to return glass to ensure final fitting is accurate (as Diagram A & B).
- Clean the return glass at corner where the join will be with Isopropyl alcohol or Meths and allow to dry.
- Fit corner clip to return panel pre-sealed as Diagram C.

IMPORTANT JOINING TIPS

1. Enter the bottom of the glass into the corner clip.
2. Remove backing of tape making sure to keep adhesive away from the return glass.
3. Check the height, then angle the glass and connect on this angle (Diagram A).
4. Rotate the glass slowly with pressure to right angles to ensure there is no air inclusion in the join.
5. Use three fast action clamps to bring the join tightly together.
6. With one clamp apply strong pressure at 100mm intervals to activate full bond strength. Repeat this twice.

DIAGRAM A

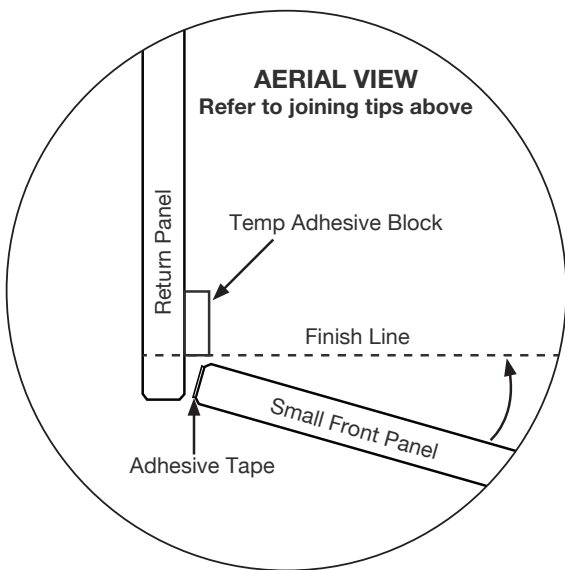


DIAGRAM B

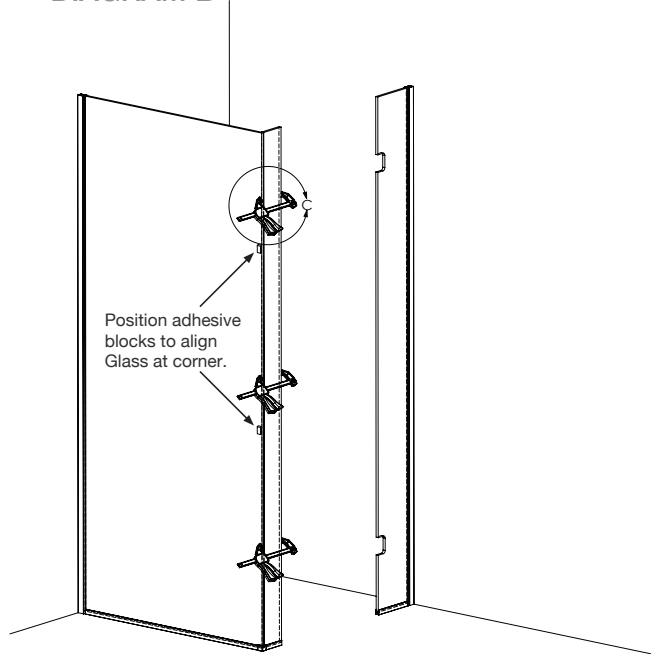


DIAGRAM C

Pre-Seal silicone Corner Clip as this diagram.

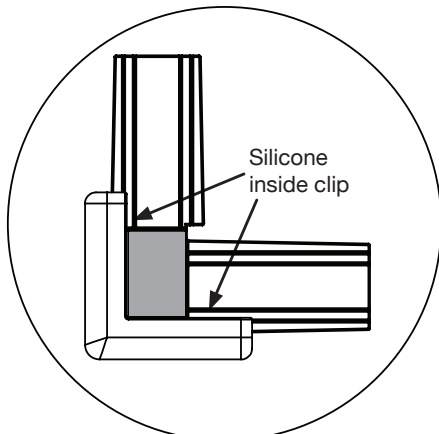


DIAGRAM D

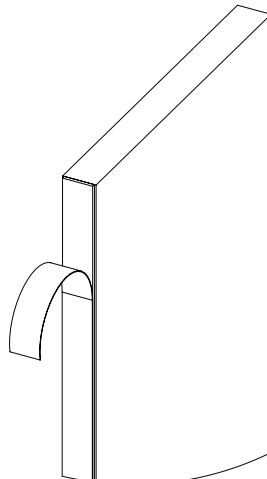
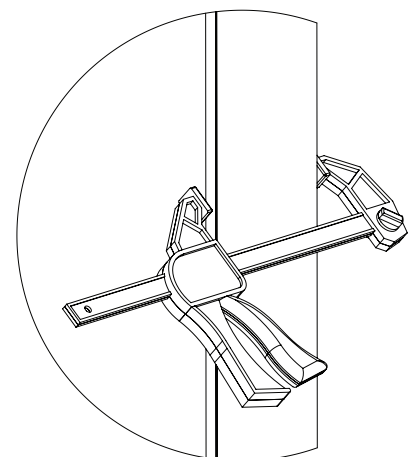


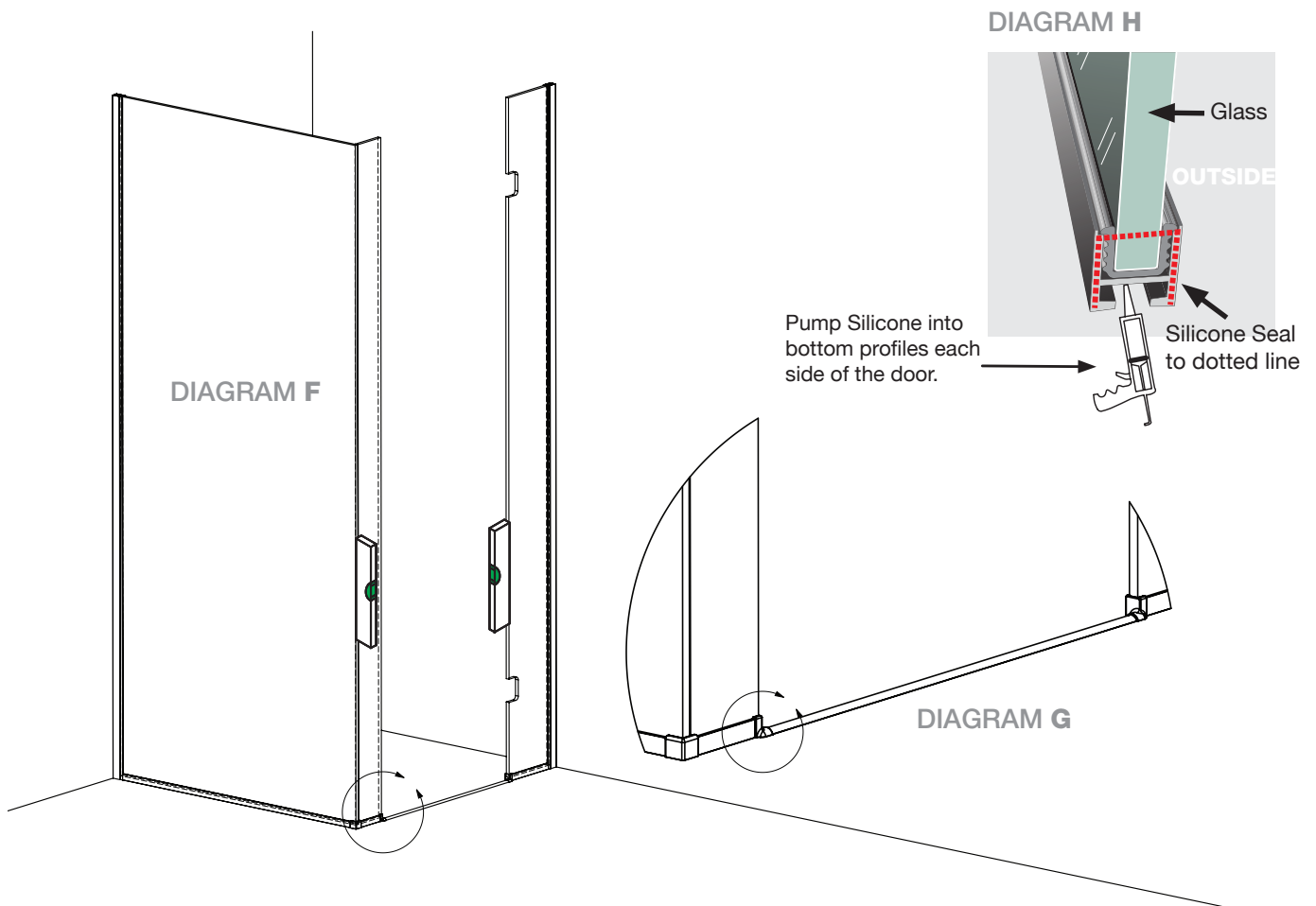
DIAGRAM E



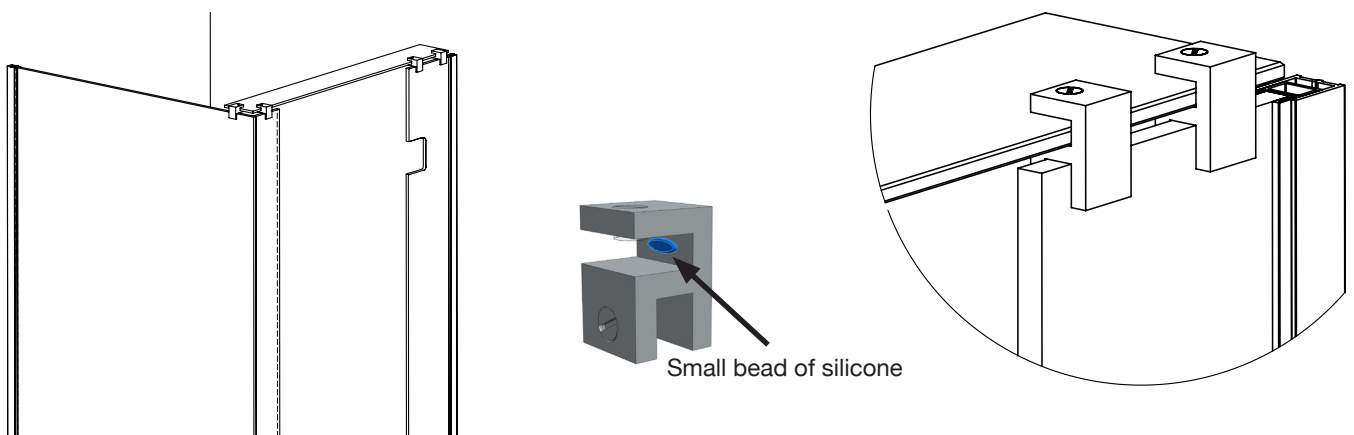
INSTALLATION

STEP 4

1. There are three standard door sizes: 550mm, 600mm or 650mm. The gap allowances each side of the door is from 2.5 mm to 3mm maximum.
2. Align glass leading edges to plumb and adjust door gaps to specs (Diagram F).
3. Silicone bond and seal details of floor profiles as Diagram H.
4. Install waterbar clips, silicone back of waterbar, waterbar clip holes and fit (Diagram G).



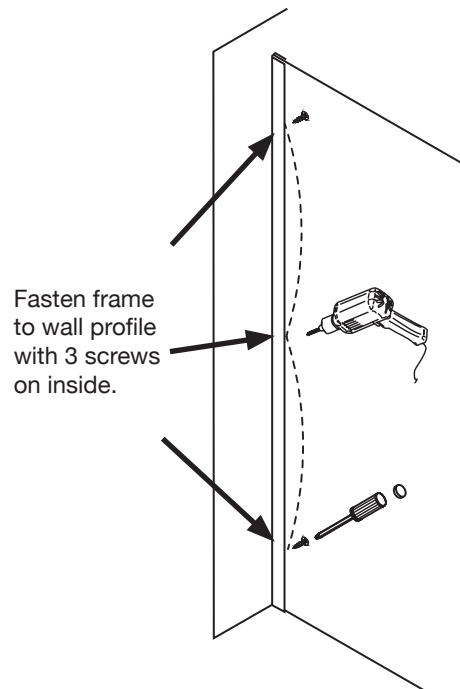
- Fitting of Glass Lintel: **IMPORTANT!** Clips must be held tight to glass prior to fastening.
 1. Fit lintel clips first to vertical glass panels.
 2. Apply a small bead of V60 Silicone as drawing (This is a secondary safety measure to hold the lintel glass).
 3. Fasten the lintel glass ensuring door gap is correct.
 4. Retighten fastenings yet again until the gasket has seated down.



INSTALLATION

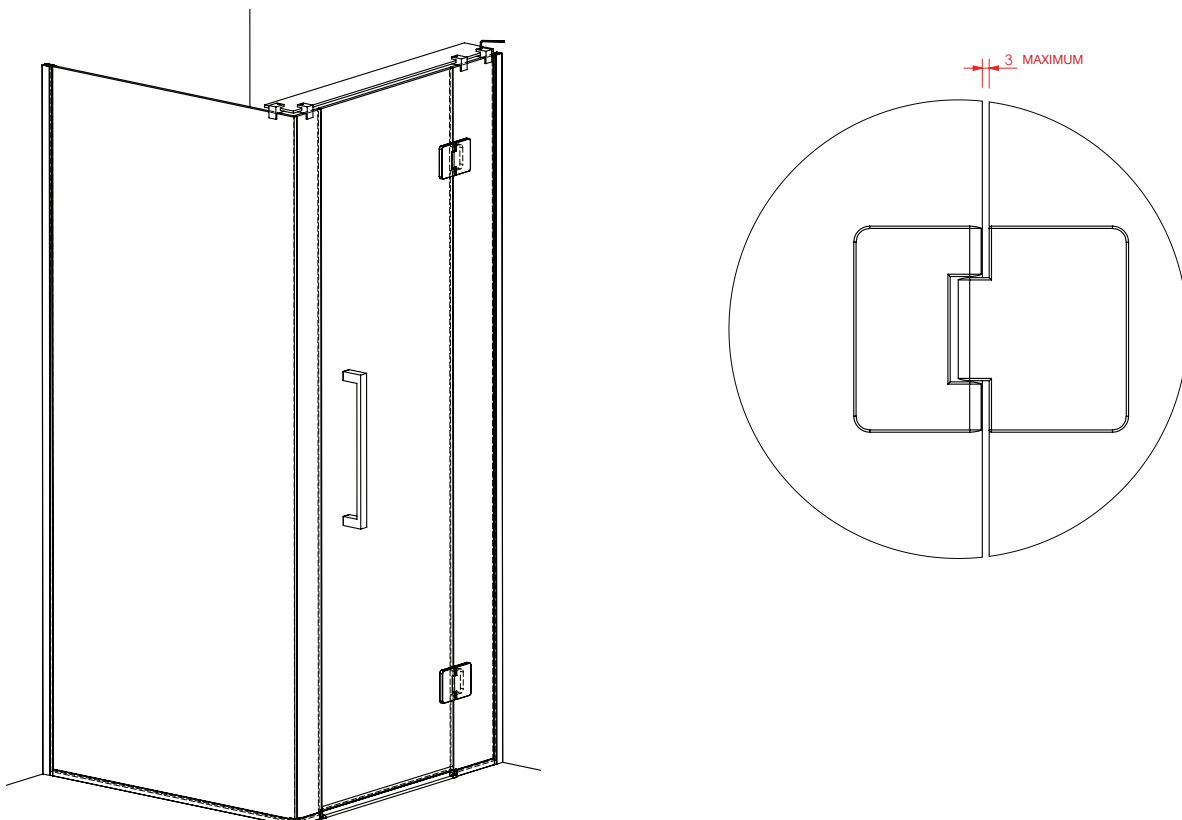
STEP 5

- Fasten shower screen to wall profiles.



STEP 6

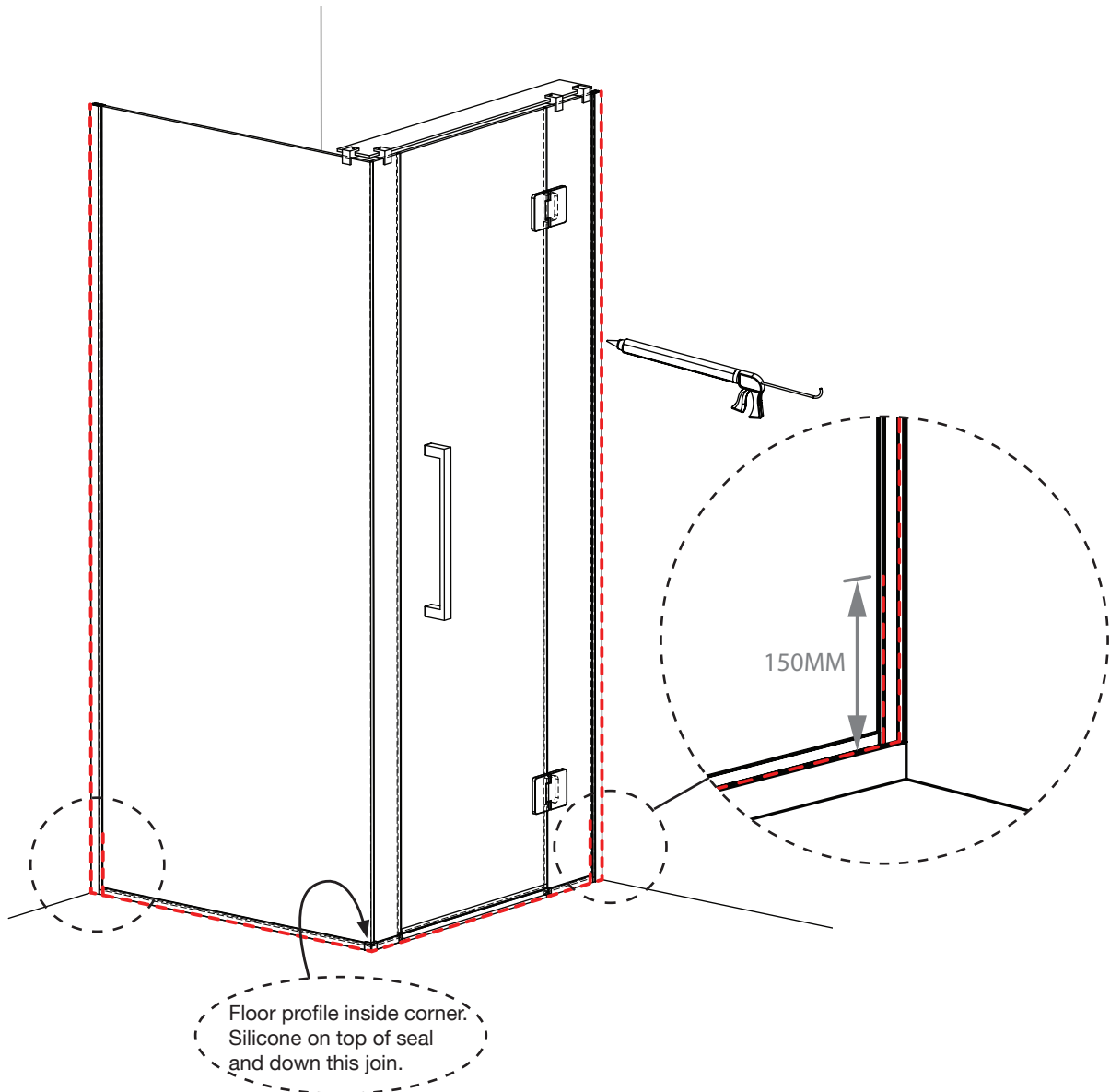
- Wipe hinge gaskets and glass where the hinges contact with Meth's.
- Fit door hinges to the hinge panel first (must be level).
- Fit door handle to door.
- Fit door in place. **Note:** Do up hinges firm initially but not tight. Make any corrections where required before tightening fully.
- After finalising door fit, tighten up screws.
- Recheck tension of screws with a little increase each time and a final check prior to leaving site. This process is important to fully seat the gaskets.



INSTALLATION

STEP 7

- Silicone seal the outside boundary edge as indicated lines and guidance.
- Leave for a minimum of 24 hours prior to use.



NEWLINE
for a lifetime!

Freephone: 0508 639 5463

Phone: 09 444 2053

Email: info@newline.co.nz

www.newline.co.nz