

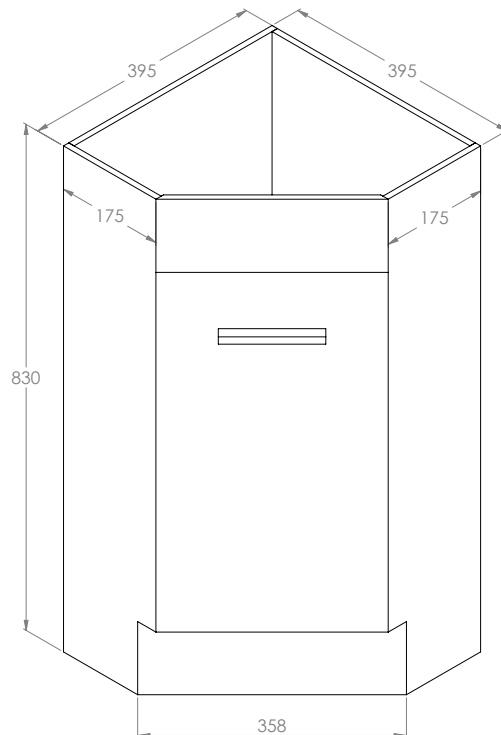
# Corner Vanities | 400mm



## PRODUCT FEATURES

- Composite Stone Top
- Soft Closer Door and Drawer Hardware
- 5 Year Warranty

## SPECIFICATIONS



# Corner Vanities | 600mm

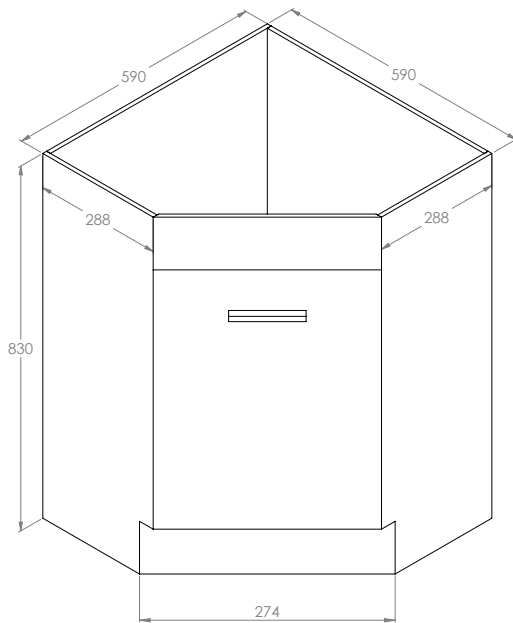


## PRODUCT FEATURES

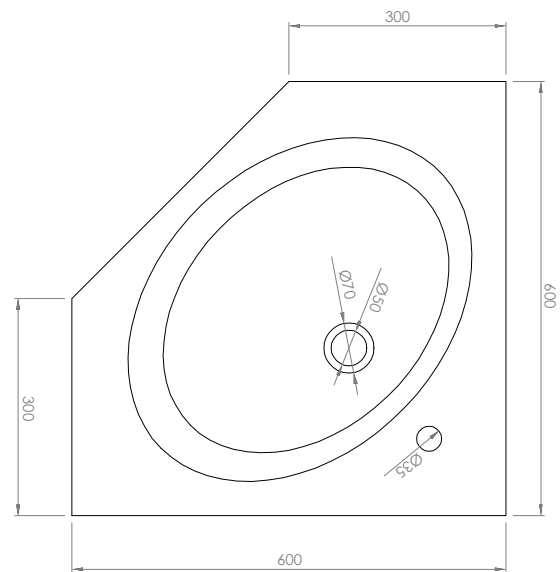
- Composite Stone Top
- Soft Closer Door and Drawer Hardware
- 5 Year Warranty

## SPECIFICATIONS

Vanity Unit



Vanity Top



# Corner Vanities | 900x600mm LH

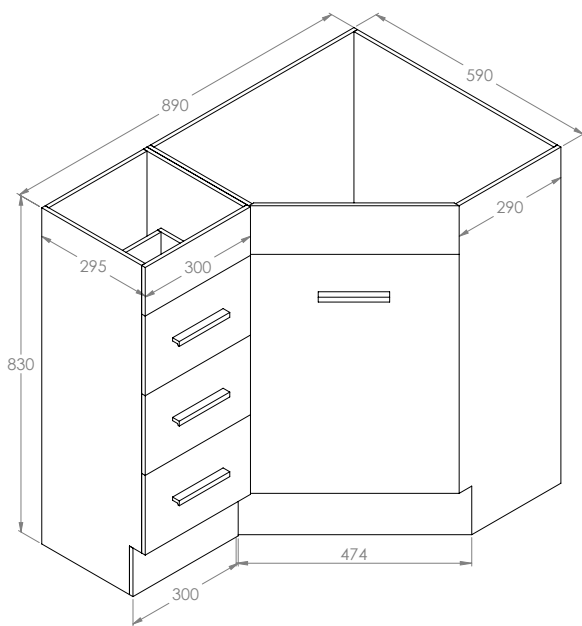


## PRODUCT FEATURES

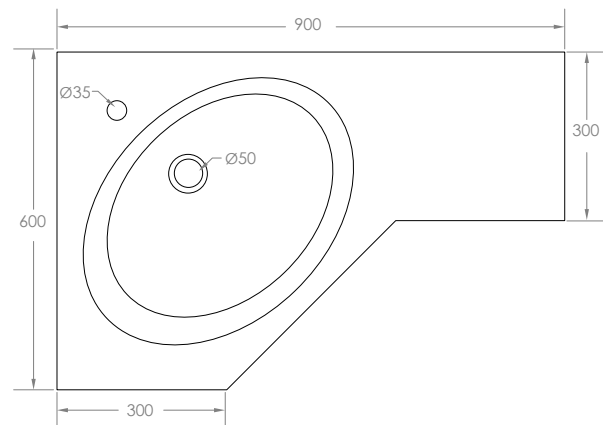
- Composite Stone Top
- Soft Closer Door and Drawer Hardware
- 5 Year Warranty

## SPECIFICATIONS

Vanity Unit



Vanity Top



# Corner Vanities | 900x600mm RH

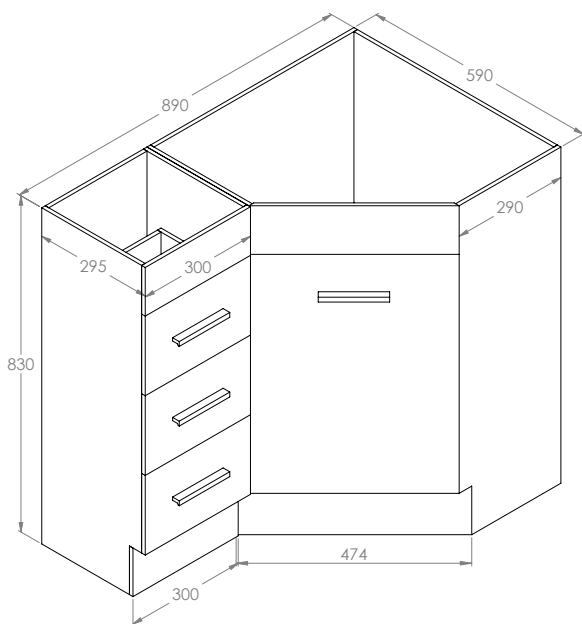


## PRODUCT FEATURES

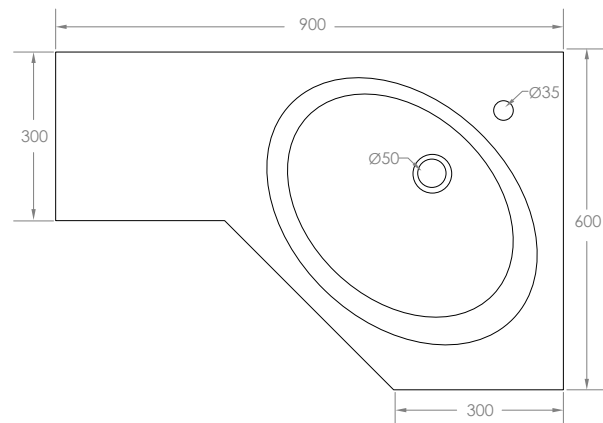
- Composite Stone Top
- Soft Closer Door and Drawer Hardware
- 5 Year Warranty

## SPECIFICATIONS

Vanity Unit



Vanity Top



# Corner Vanities | 900mm

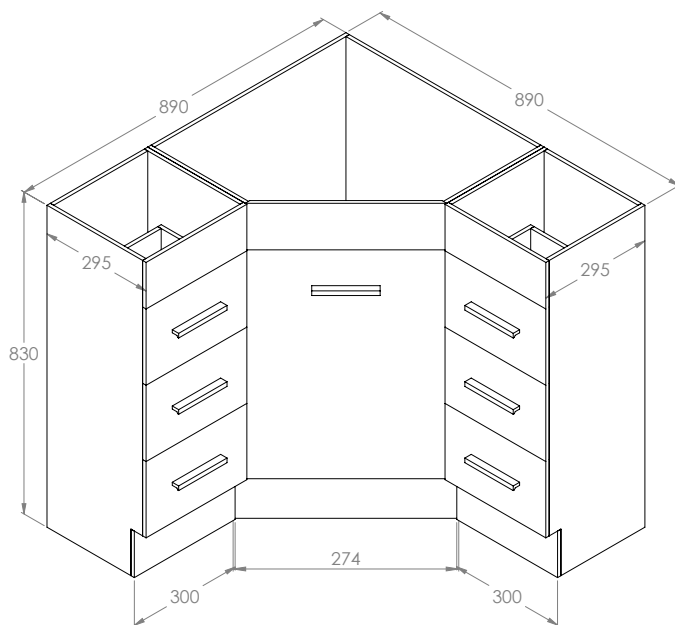


## PRODUCT FEATURES

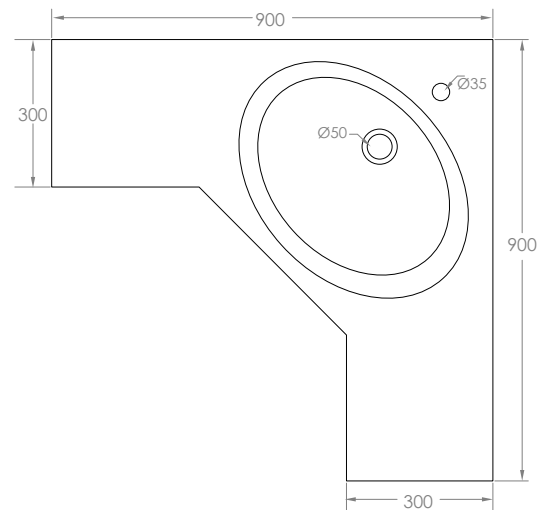
- Composite Stone Top
- Soft Closer Door and Drawer Hardware
- 5 Year Warranty

## SPECIFICATIONS

Vanity Unit



Vanity Top



### DESCRIPTION:

Newline Corner vanities are made up of a floor standing base constructed from water resistant material, and are used with a 30mm composite stone vanity top. Newline Corner vanities are available in a range of standard sizes from 400mm up to 900mm, in white colour. Drawers feature soft close hardware, and vanity traps for plumbing sit inside each drawer

### CONTRIBUTIONS TO COMPLIANCE

B2.3.1 (c) (i) and (ii): Newline Corner vanities have a warranted durability of 5 years when maintenance standards are adhered to. Parts are readily available to replace. Refer to Aftercare

Document and Installation Instructions for further information.

G1.1 (a) and G1.3.2: Newline Corner vanities are constructed from water resistant material. Surfaces can be easily cleaned using warm soapy water and an absorbent cloth. Water connections should be correctly installed by a licensed plumber to ensure appropriate discharge to the plumbing/drainage system as per G13.2 Foul Water. Refer to installation instructions for further information.

E3.3.5 and E3.3.6: Newline Corner vanities are constructed from water resistant material and are compatible with light splashing that is intended to occur when in use. Any joins in the cabinet that are susceptible for water ingress are sealed with silicone including top to cabinet, and cabinet to wall. Full information is outlined in Aftercare Document and Warranty Information.

### SCOPE OF USE

Newline Corner vanities are intended for use in the following environments:

- Domestic and commercial bathrooms, including residential homes, government housing, hotels and apartments.
- Suitable for use with cold and warm water.
- Used as a floor standing base. Determine positioning of wiring and piping within cavity walls prior to installation. Walls and floor must not be out of plumb as this will cause the fit of the drawers to be misaligned.
- Tiling must be completed prior to vanity installation

### CONDITIONS OF USE

- Newline Corner vanities are intended for use under regulated water pressure that is balanced to the size of the basin and water splash is controlled. Vanities are not intended for use with water that exceeds 55 degrees Celsius
- Laminated or lacquer surfaces are water resistant but not waterproof. Constant and excessive exposure to water will enter joins in the assembly causing subsequent damage
- Must be installed in accordance with Newline Corner Vanity Instruction Manual. Waste connections must have been correctly installed by a registered plumber. Installation must comply with instructions to be under warranty.
- Cleaning products including bleaches, solvents, alcohol, citrus based chemicals, bath oils, and/or any abrasive cleaner should not be used. Full list is outlined in aftercare document

### WARNINGS AND BANS

This product is not subject to warning or bans under section 26 of the Building Act 2004

### CONTACT DETAILS

Location: NZ for Local and Imported Products

Legal and Trading Name of Manufacturer: Newline Group Ltd

Importer Address for Service: 54 Unutoto Place, Tauranga, 3171

Importer Website: [Newline.nz](http://Newline.nz)

Importer Email: [info@newline.co.nz](mailto:info@newline.co.nz)

Importer Phone Number: 0508 Newline

### SUPPORTING DOCUMENTATION

The following additional documentation supports the above statements:

[Aftercare and Maintenance Doc:](#)

[Warranty Information:](#)

[Corner Vanity Installation Manual:](#)