



Installation Instructions for Kāinga Ora Builds

INDEX

PAGE

Tray & Liner Introduction	2
Tray/Liner Install & Bonding	3 to 6
Shower Introduction	7
2-Sided Shower Install	8 to 13
3-Sided Shower Install	14 to 18



Important

1. When you receive your shower package, please check for any freight damage.
2. If damage has occurred, advise your supplier within 8 hours.
3. Do not install any faulty product as this will invalidate later claims.



BEFORE YOU START READ THROUGH INSTRUCTIONS TO UNDERSTAND SCOPE

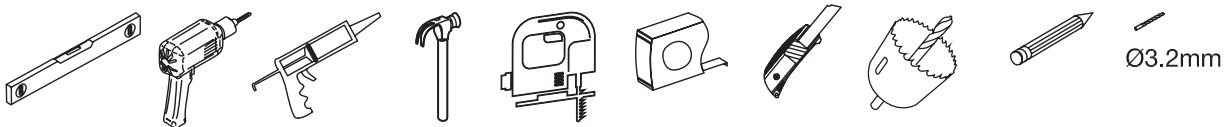
WARRANTY

- Installations must conform to the instructions to be covered by the warranty.
- Hot water temperature must be regulated to 55 degrees to comply with the warranty.
- Full warranty information can be obtained at www.newline.nz/warranty-information/

HEALTH AND SAFETY

- Keep room well ventilated to dissipate glue vapours.

TOOLS REQUIRED



INSTALLATION INSTRUCTIONS REFER TO:

Newline Acrylic Low-Profile Shower Tray } (Size and Type as order)
 Newline Acrylic Shower Liner }

ADDITIONAL ITEMS SUPPLIED IN PACKAGE (if ordered)

1 x Easyclean Waste with Brass Replacement Cap

1 x Maxbond Cartridge (Glue for Tray)

Acrylic Liner Shower Bond Cartridges: 3 cartridges for 2-sided shower and 4 cartridges for 3-sided.

IMPORTANT!

Working with Acrylic Materials: Take care not to chip or scratch the surfaces.

Drilling: Use twist drills or hole saws suitable for wood. Work must be well supported on both sides around the holes to be drilled. Sharp drills are essential to achieve a clean cut.

Cutting of Liner: This is not normally necessary provided walls and floor are to specs. Small corrections to an edge can be achieved with a sharp plane.

NEWLINE RECOMMENDS A SKILLED TRADESMAN ACQUAINTED WITH SHOWER INSTALLATIONS TO ENSURE THE VERY BEST OUTCOME.

PREPARATION CHECKLIST

The builder is responsible for these steps to enable a successful shower installation.

The Floor: Must be flat, level with no deflection. Remedial action may require.

1. Additional framing to support the floor.
2. Grinding, sanding or levelling compound to establish level.

Wall Framing

1. The walls must be flat, plumb with internal corners at 90 degrees.
2. The tray requires a horizontal batten in the wall for support (Diagram A on Page 4).
3. Solid fixing for shower wall profile channels is flush off outside of shower tray edge, must be 90mm faced crosswise.
4. 3-Sided Alcove Tray: Page 5 gives specific details fo aligning tray and framing.

The Wall Board

1. This must be an accredited for “Wet Areas” complying with the NZ Building Code.
2. This system is based on 10mm thickness and must have absorbent surface for glues.
3. There must be no paint, stopping material, sealer or sanding dust on the surface.

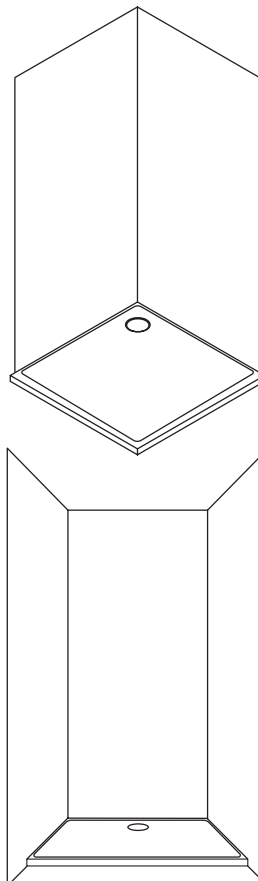
Plumbing: All waste and supply installation must be undertaken by a licenced plumber.

IMPORTANT INFORMATION

WALLBOARD LINING OF SHOWER WALLS

Two-Sided: This can be installed after wallboard lining provided all frame detailing is complete. Place the tray against the lined wall and mark 4mm above the tray upstand and trim this lower section of wallboard out.

Three-Sided Alcove: It is more practical to leave the lining off and install the tray first and then complete lining.



Wall Framing to be straight, plumb, 90-degree corners & compliant to current NZS 3604 standards.

**2-SIDED TRAY LAYOUT:
Low Profile Acrylic**

2-Sided Tray Sizes
820mm x 820mm
915mm x 915mm
1000mm x 1000mm

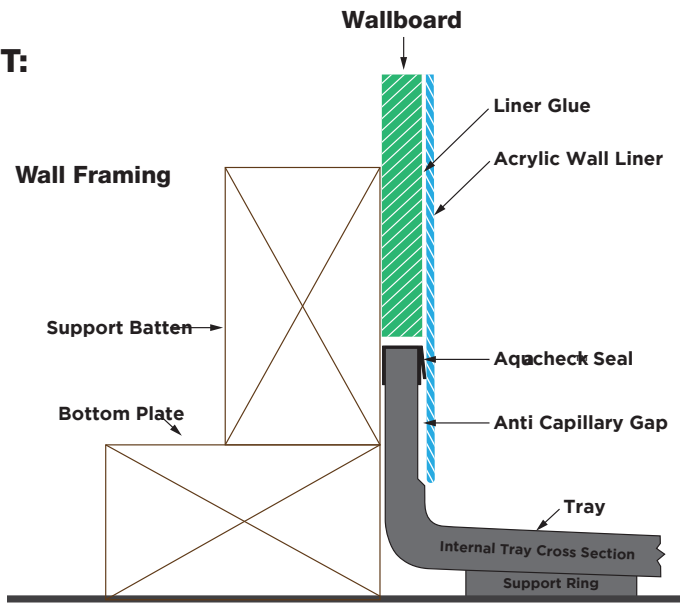


Diagram B

3-SIDED TRAY LAYOUT: Low Profile Acrylic

3-Sided Tray Sizes & Alcove Wall Dimensions

Tray Size	Tray Width +/-3mm	Frame to Frame	Wallboard to Wallboard	Liner Back Wall O/A Width +/- 1mm
810 x 810	810	810	790	785
900 x 900	900	900	880	875
1000 x 1000	1000	1000	980	975

Special attention for 3-Sided Alcove framing specs

①

The tray dimensions may vary +/- 3mm. This is within the manufacture's tolerance.

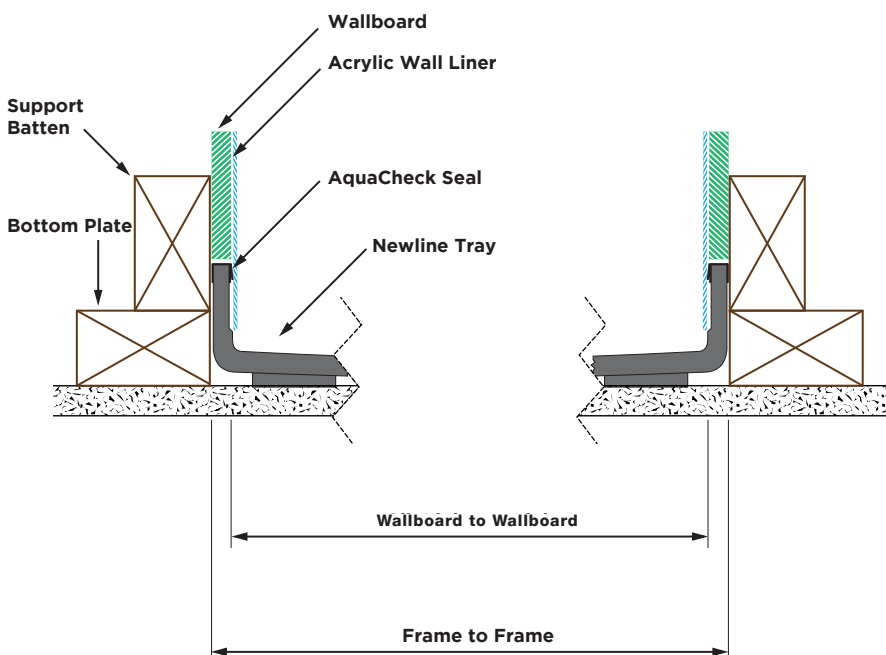
②

Bottom plate may have to be rebated to fit tray but the walls must follow Table 1.

③

Walls must be plumb, straight with 90degree corners as errors can duplicate not allowing the Acrylic Liner to fit.

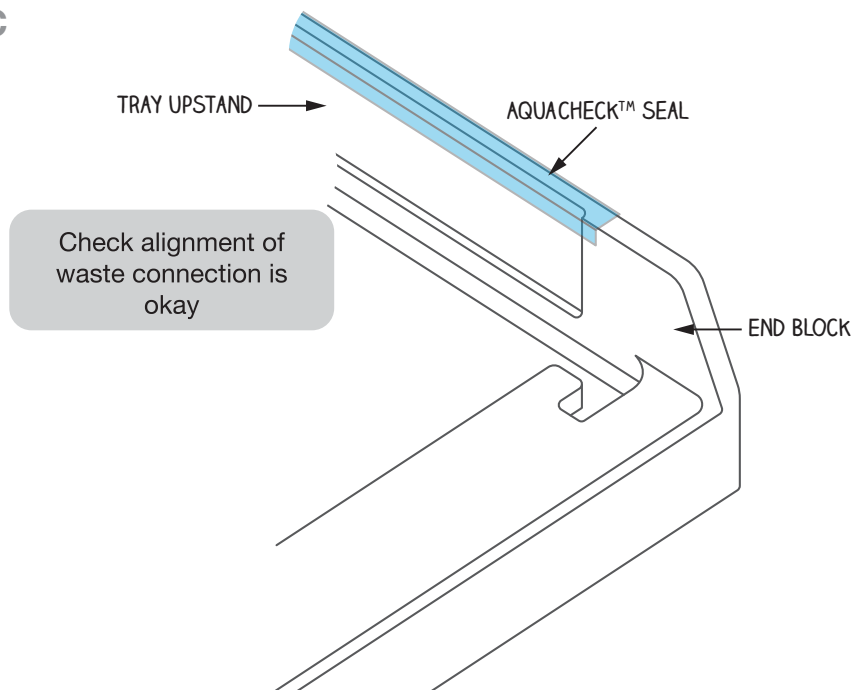
Diagram 3-Sided Alcove



STEP 1

- Peel protective film off the tray and check there are no defects. Cut and tape down a section of the tray box to protect the surface during installation and stop any item going down the drain.
- Fit up tray. Ensure the “end blocks” at each of the upstand are flush or slightly under the outside of wall board. Trim any framing that is holding the tray out from correct position.

Diagram C

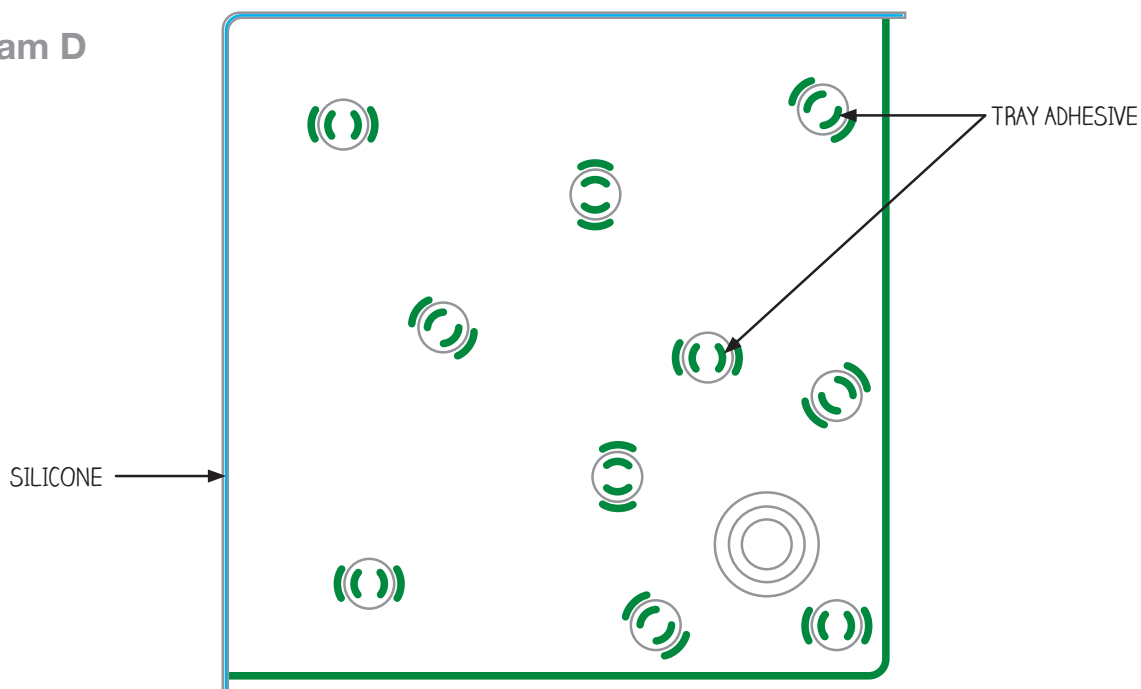


Note:

STEP 2

- Glue the tray down with Tray Adhesive at the rings underneath. Apply a small seal of silicone underneath the outside edge and place and hold the tray in position against the wall framing and with a little downward weight. Note: The Glue is best applied on the inside and outside of the rings, 50mm long on opposite sides as shown in the below diagram. Use sufficient glue to slump to floor when placed the right way up. Do not stand on tray for 24 hours minimum after installation.
- Connect the Easy Clean waste.

Diagram D

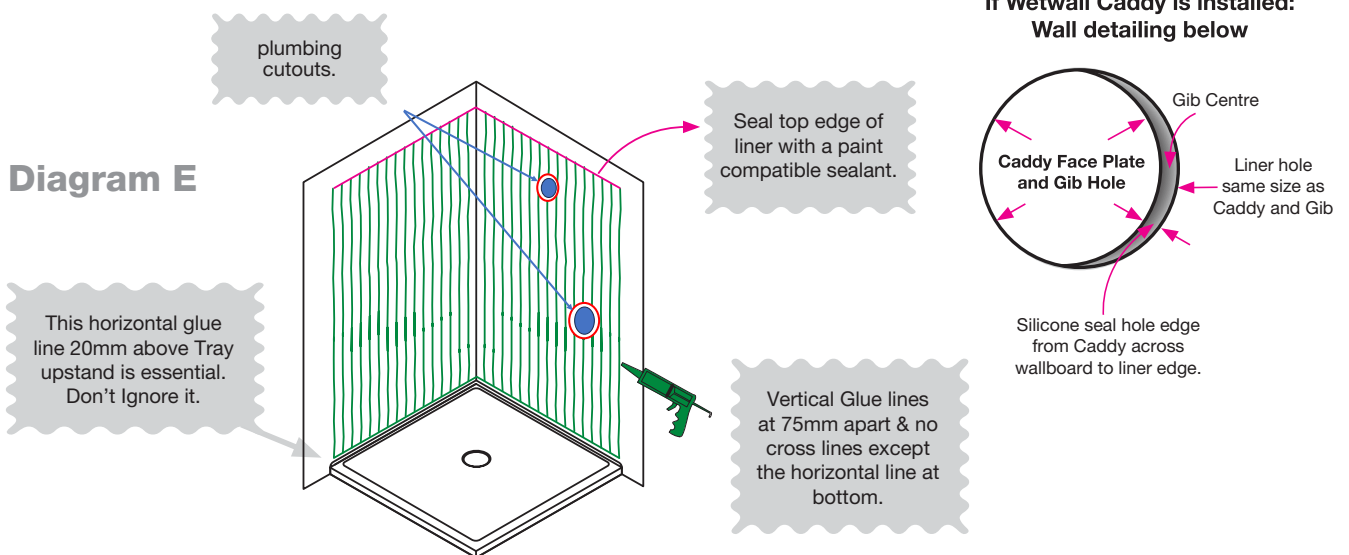


STEP 3: Wall Liner Installation

Marking Out

- Stand the liner into position and check lower edge for fit to tray and if needed trim lower edge with a sharp plane
- With a soft pencil or masking tape spot the outside boundary of the liner.
- Measure all plumbing fittings on the wall. Transfer these to the liner and drill with a hole saw.
- Mark out the glue pattern on the wall. 30mm in from the perimeter and at 75mm apart in vertical lines. Also one horizontal line 15mm above the Aquacheck.

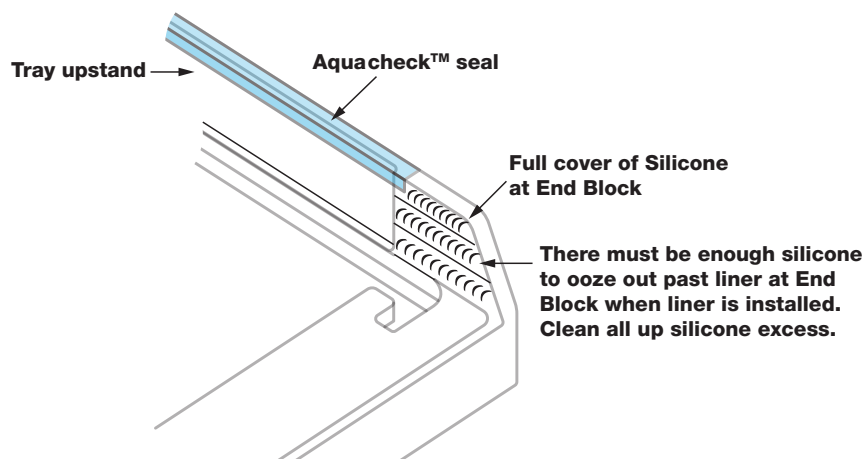
Diagram E



Bonding/ Sealing

- Follow through quickly and apply showerbond to marked lines. If installing a moulded liner apply glue to the adhering face of the mould edges also.

Diagram F



Install Wall Liner

- Position liner on the wall with the inner corner first and working out from there.
- From the inside corner apply pressure with a roller or shaped board covered in soft material and work across the surface to flatten out the glue. Brace any area that maybe required and take specific attention to the area of the horizontal glue line just above the Aquacheck seal. Leave bracing in place for 12 hrs.

Newline provides full **Specification Documents** for two **Categories of Showers**.



WAIT

- **Before you start** please read through the pre-install guide that applies to this project.

[Acrylic Pre-Install Specifications](#)

[Tile Pre-Install Specifications](#)

HEALTH AND SAFETY



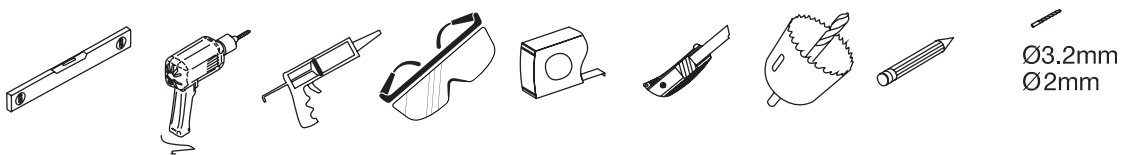
- **Unpack glass**, stand on soft packing on floor and walls prior to assembly.
- **Do not** rework glass panels.
- **Do not** strike an edge or corner of glass.
- **Use two persons** where heavy glass lifting is required.
- **Wear appropriate** protective clothing and eye protection during installation.
- **Mark gas/water pipe** and electrical wire locations to ensure these are not touched.

ATTENTION



- **The tray base** must be installed level as this affects all shower alignments.
- **Wall Specifications** require a max variation of 3mm within shower height. Installer must check the viability of install if outside of these specs.
- **3-Sided Alcove Showers:** Wall must be accurate, straight, and plumb. Refer pre-install guide.
- **Double studs for solid fixing of wall channels:** Positioned at tray outside edge and inwards
- **Double Studs:** These must be in place from outside of either acrylic or tile tray inwards. This is essential to fasten top door rail.
- **The Installers Responsibility:** All compliance with all council regulations.

Tools Required

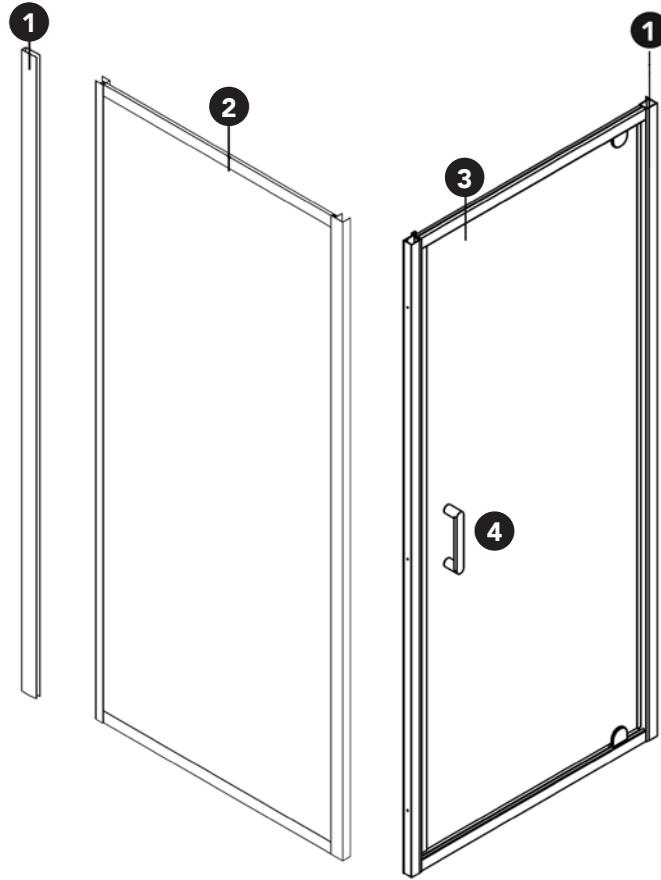


WARRANTY

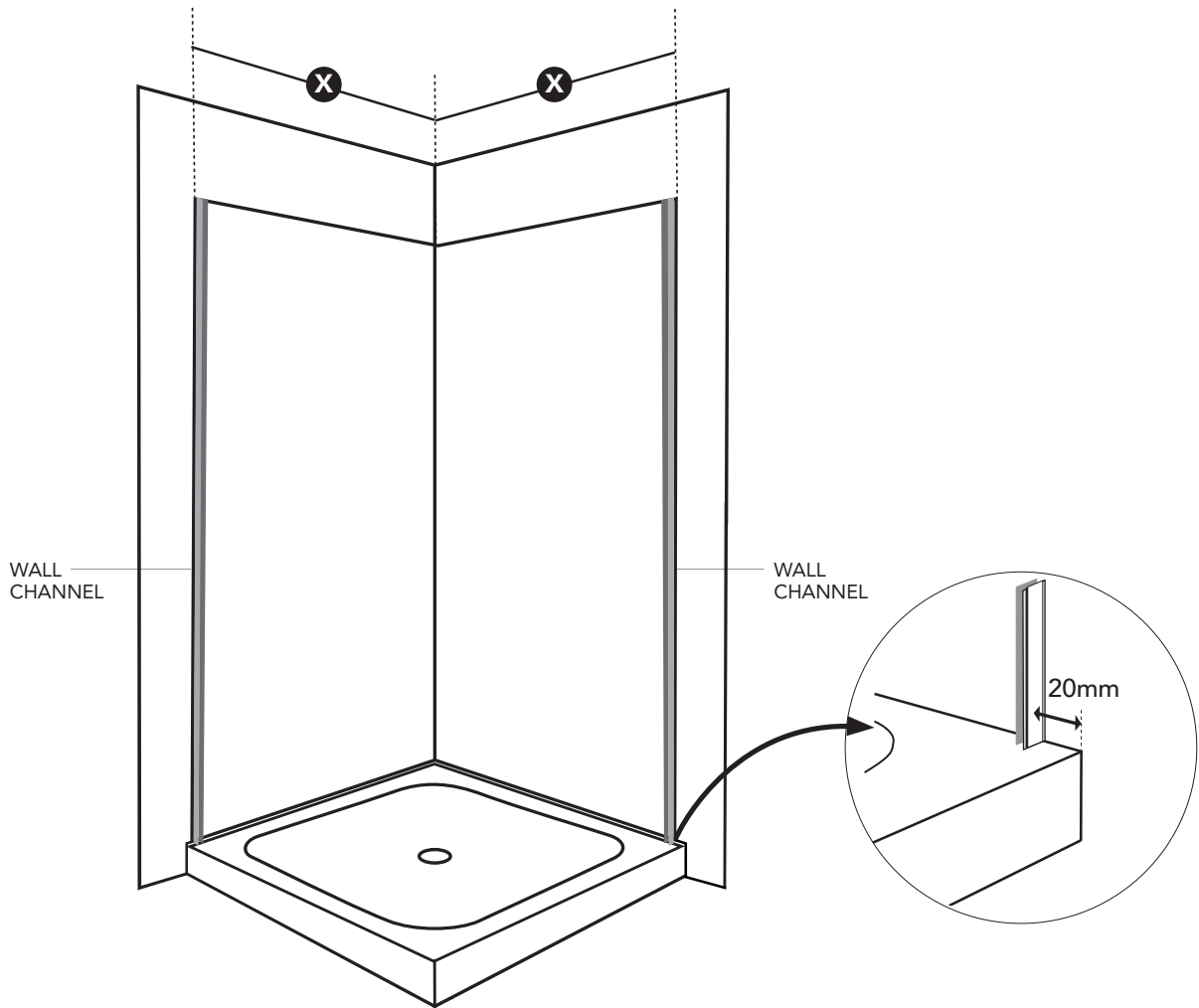
- This covers faulty goods but not breakages. Visit newline.nz for information.
- Compliance with Specs and these instructions are essential for a valid warranty.

NEWLINE RECOMMENDS A SKILLED TRADESMAN ACQUAINTED WITH SHOWER INSTALLATIONS TO ENSURE THE VERY BEST OUTCOME.

Before commencing installation, please ensure you have the following components in your package to complete installation.



REF	TICK	DESCRIPTION	PART NO.	QTY
1		Wall Channels		2
2		Fixed Return Panel		1
3		Door Front Assembly		1
4		Handle Set		1
5		Fixed Panel Screws 4 x 10mm	Screw Pack	9
6		Fixed Panel Screw Caps		17
7		Wall Jamb Fixing Screws 3.5 x 35mm		8
8		Wall Plug (Concrete)		8
9		Bottom Door Seal		1



IMPORTANT:

1. Position the wall profiles at 20mm off the acrylic tray edge.
2. If the tray is not level, walls not flat or out of plumb, assess if the given layout will work or adjust positioning as required.

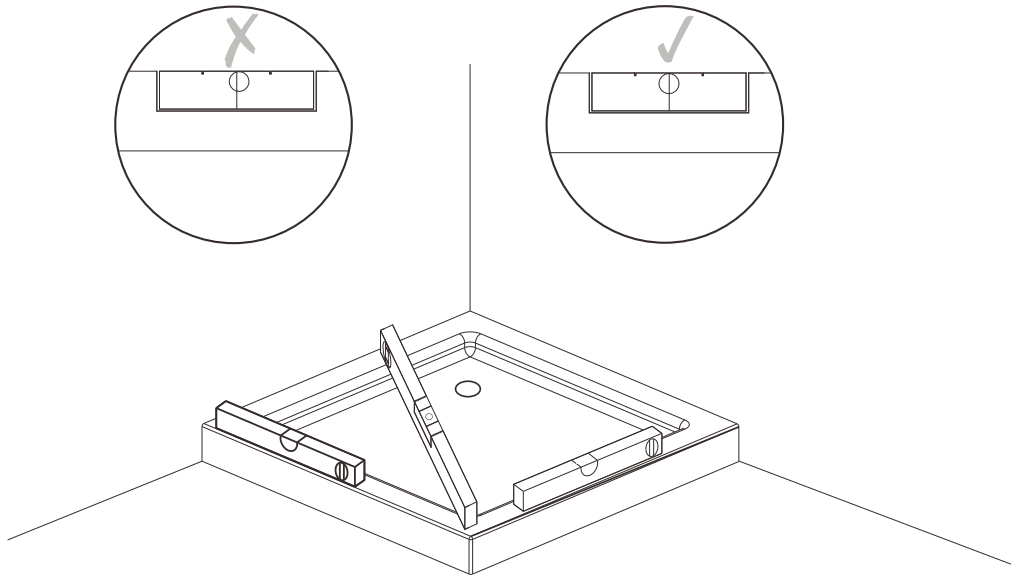
INSTALLATION STEPS: PAGE 10 TO 13

MINIMUM AND MAXIMUM TABLE

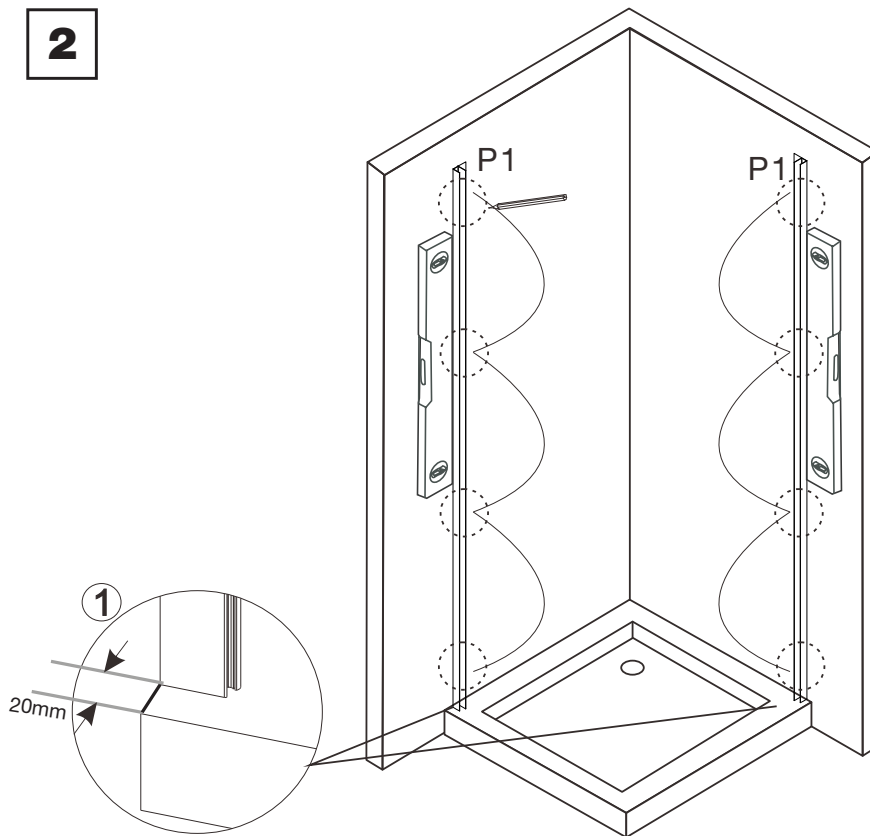
Wall out of plumb will not allow the full minimum / maximum range.

SHOWER TYPE	DOOR SET MIN/MAX	RETURN PANEL MIN/MAX
820 x 820	776 - 793	786 - 803
915 x 915	863 - 880	880 - 897
1000 x 1000	966 - 983	967 - 984

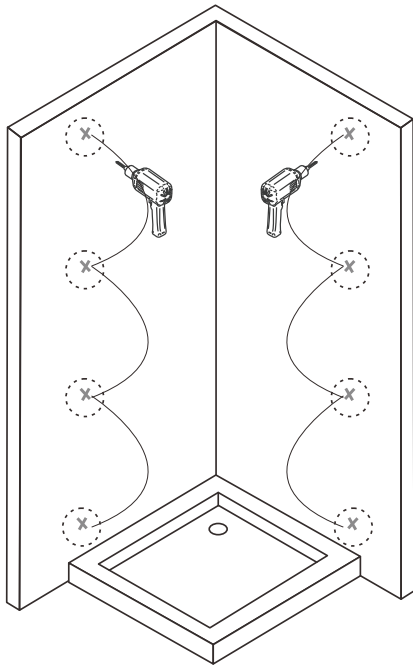
1



2

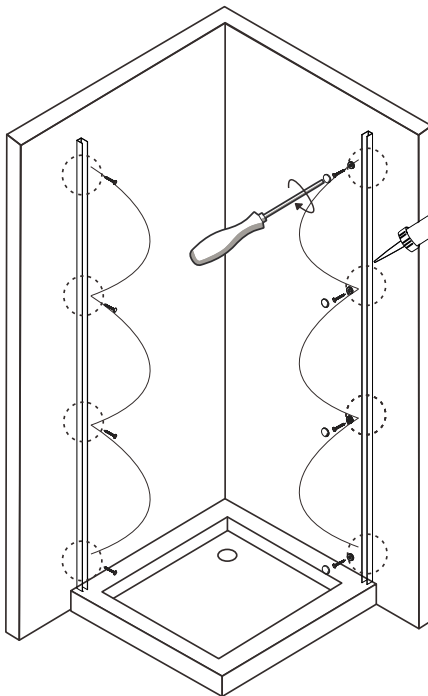


3

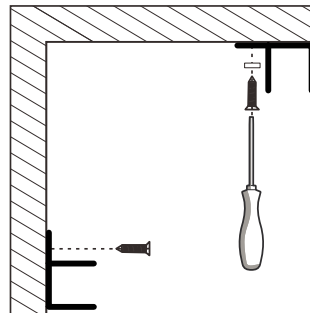


From marks,
predrill a 2mm
hole in liner.

4

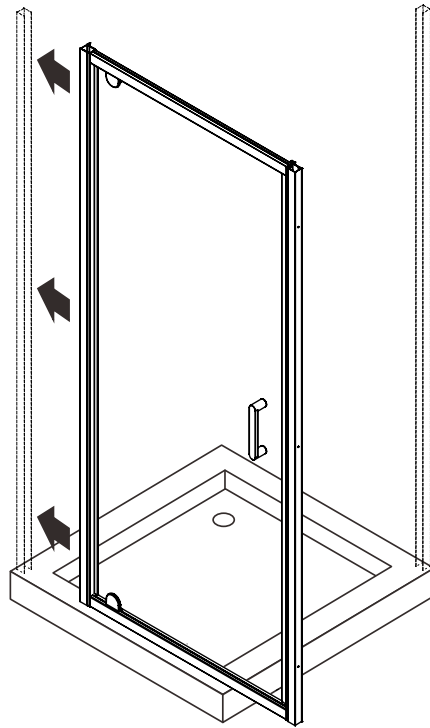
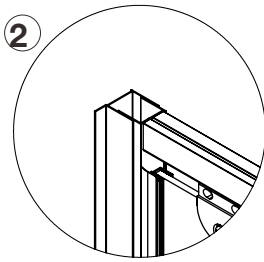
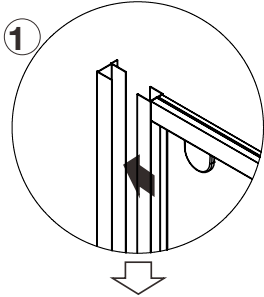


Apply continuous
bead of silicone
to the rear
face of the wall
channel before
placing against
the liner

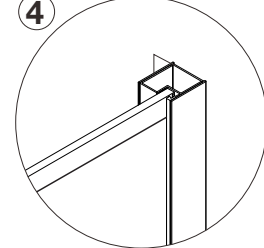
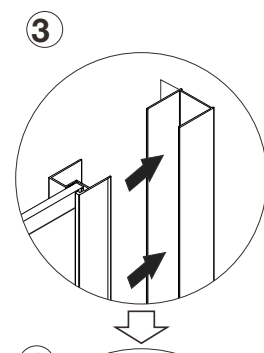
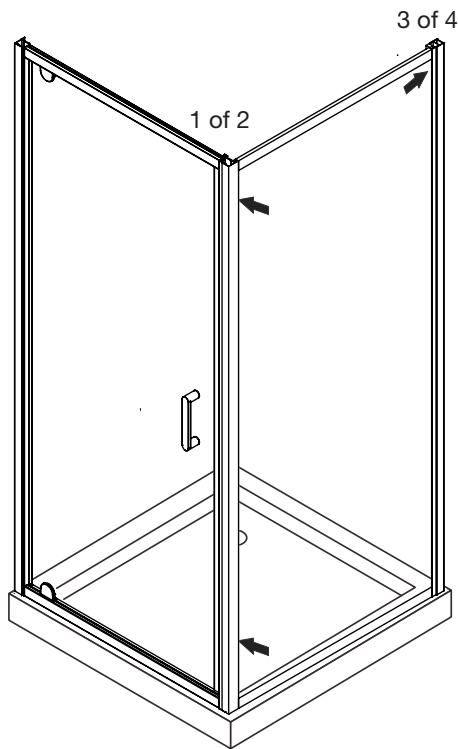
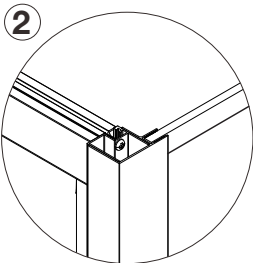
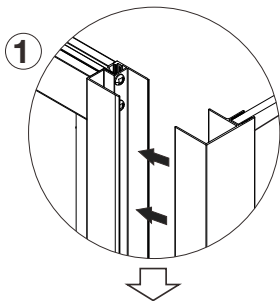


Fit Screw Caps.

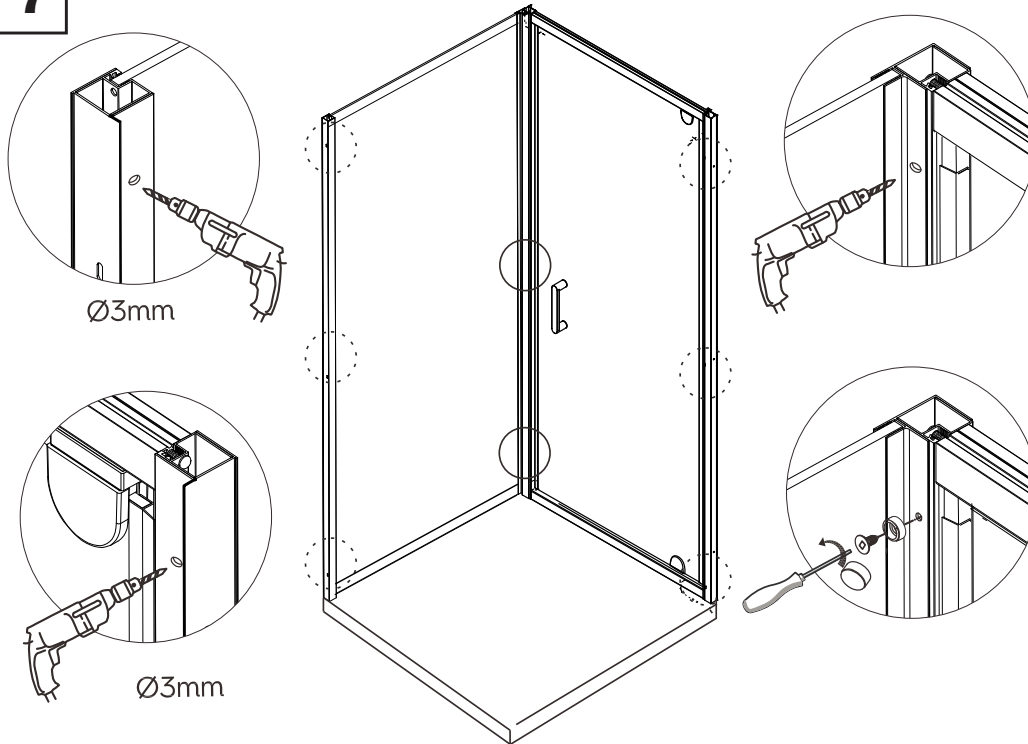
5



6

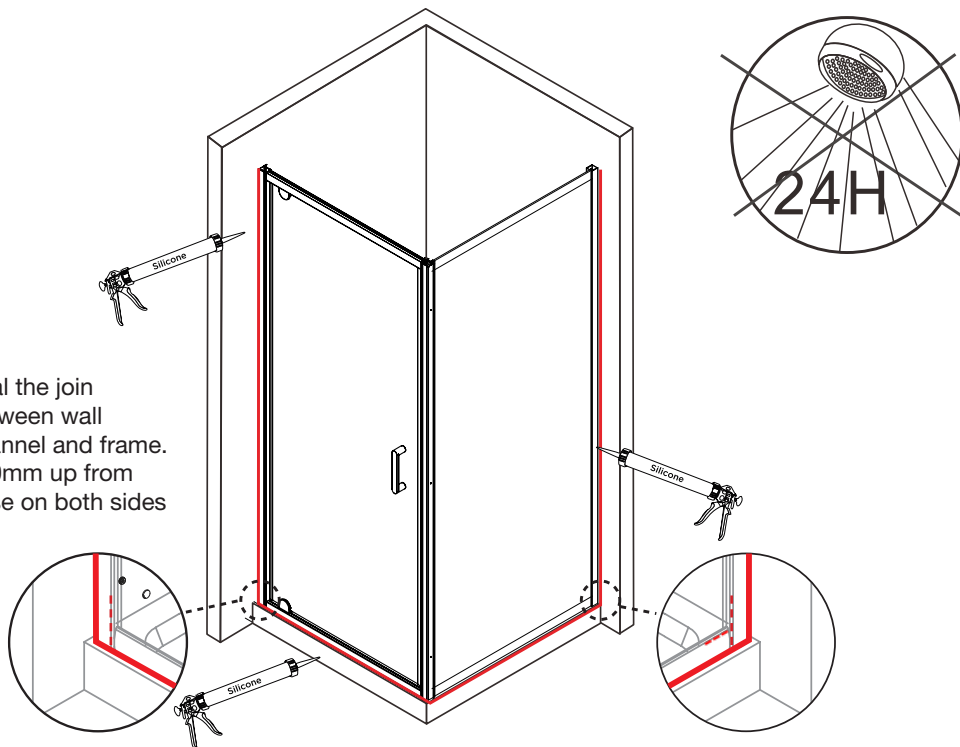


7

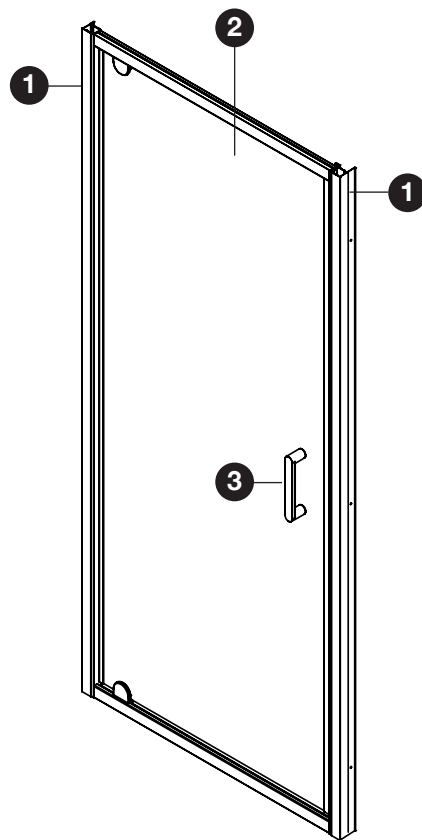


8

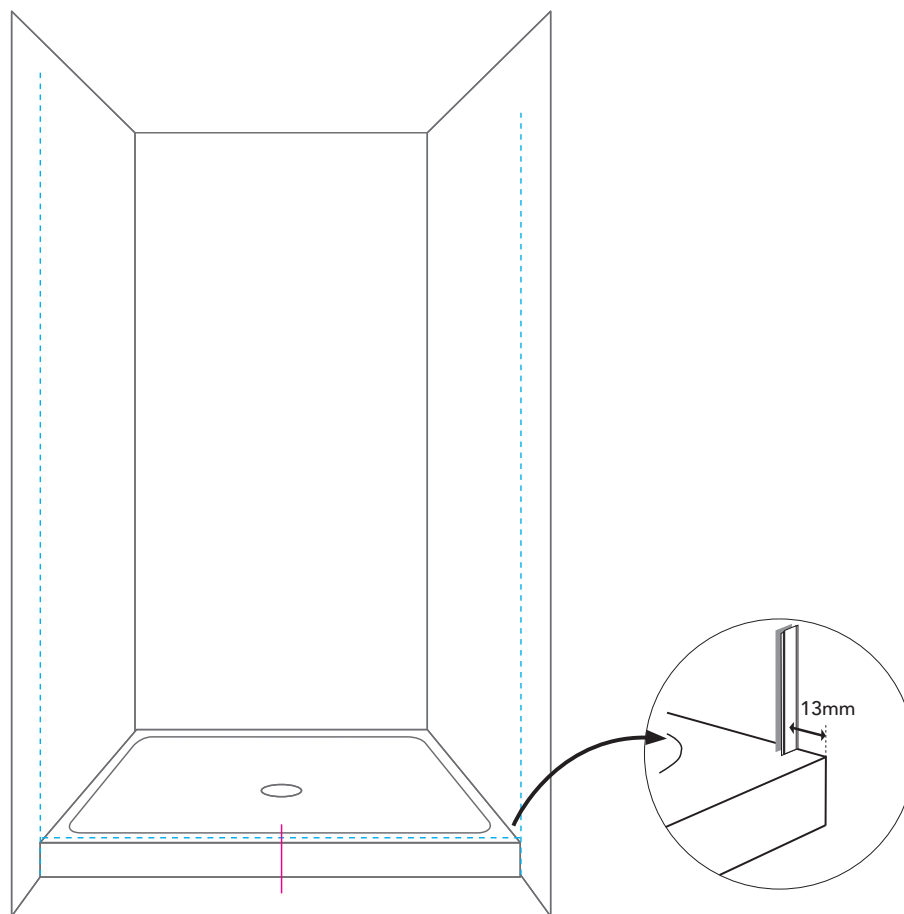
Seal the joint between wall channel and frame. 150mm up from base on both sides



Before commencing installation, please ensure you have the following components in your package to complete installation.



REF	TICK	DESCRIPTION	PART NO.	QTY
1		Wall Channels		2
2		Door Front Assembly		1
3		Handle Set		1
4		Screws 4 x 10mm	Screw Pack	9
5		Screw Caps		17
6		Wall Jamb Fixing Screws 3.5 x 35mm		8
7		Bottom Door Seal		1
8		Wall Plugs (Concrete)		8



IMPORTANT:

1. Position the wall profiles at 13mm off the acrylic tray edge.
2. The walls must be plumb with no curve or leaning inwards as errors duplicate.
3. Table 1 below: This outlines the small clearance for the Door Set to lined walls.

INSTALLATION STEPS: PAGE 16 TO 18

MINIMUM AND MAXIMUM TABLE

Wall out of plumb will not allow the full minimum / maximum range.

SHOWER TYPE	DOOR SET MIN/MAX
810 (3-Sided)	780 - 811
900 (3-Sided)	867 - 898
1000 (3-Sided)	970 -1001

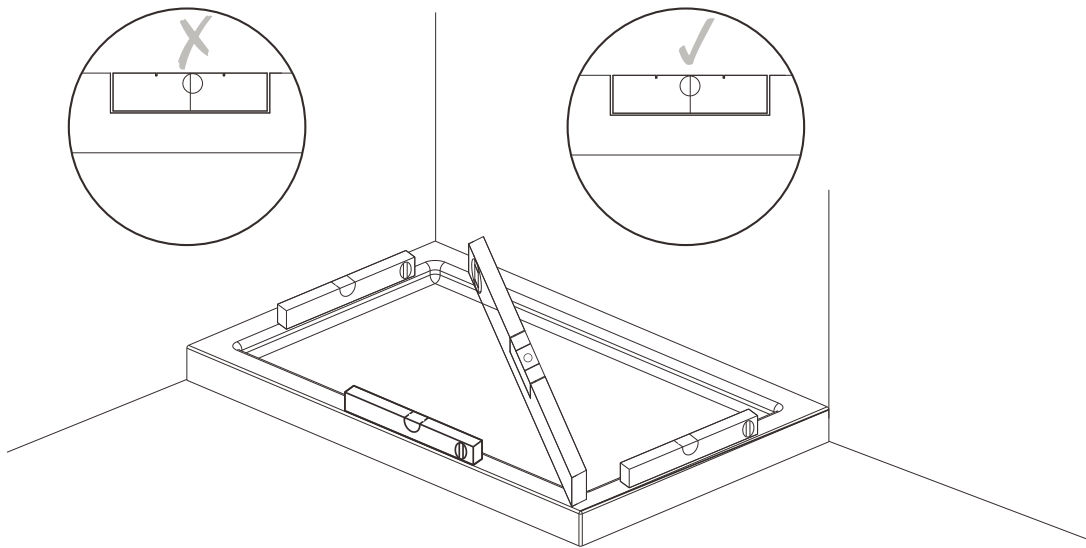
TABLE 1: 3-SIDED TRAY LAYOUT (LOW PROFILE ACRYLIC TRAYS)

TRAY SIZE	FRAME TO FRAME	WALLBOARD TO WALLBOARD	ACRYLIC LINER TO LINER
810 x 810	810	790	785
900 x 900	900	880	875
1000 x 1000	1000	980	975

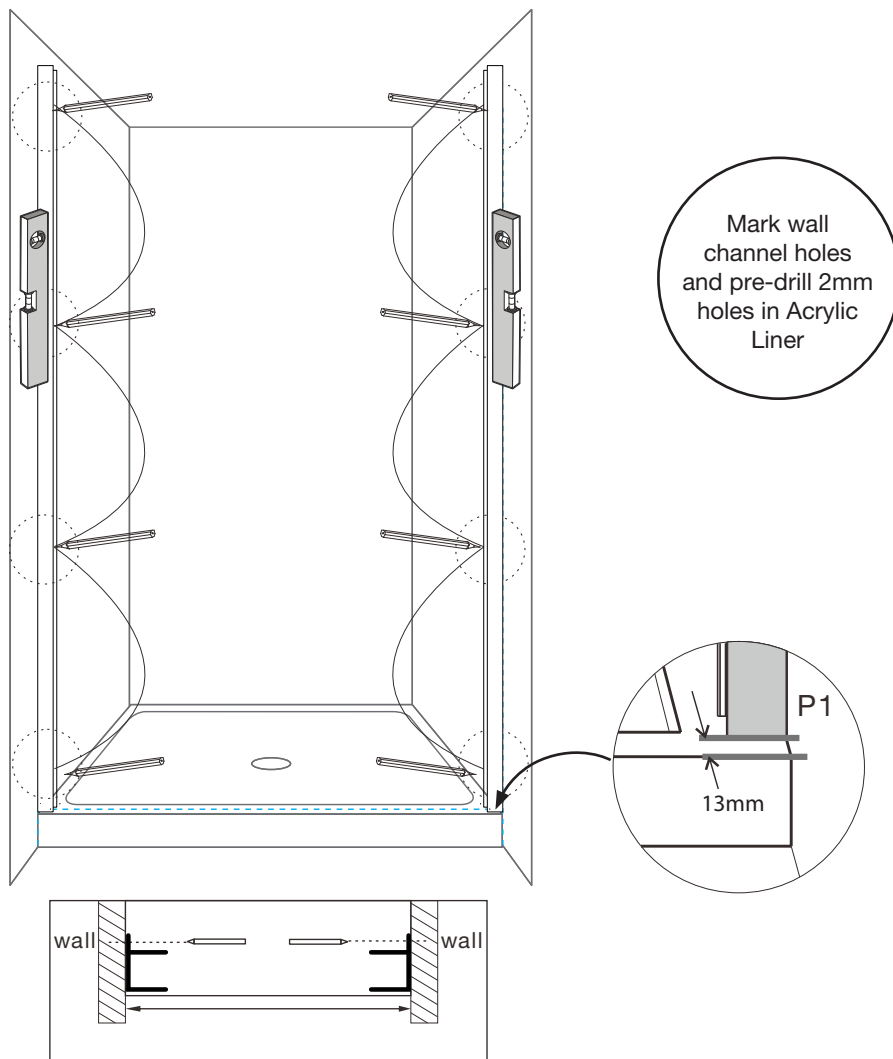
Framed walls must follow Table 1.

Rebate bottom plate if tray too tight.

1



2

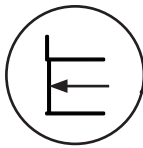


3

With assistance, enter the Door Set with Wall Channels each side to pre-drilled holes.

Start some screws in holes to hold. Feed silicone into each hole and screw off using the screw caps.

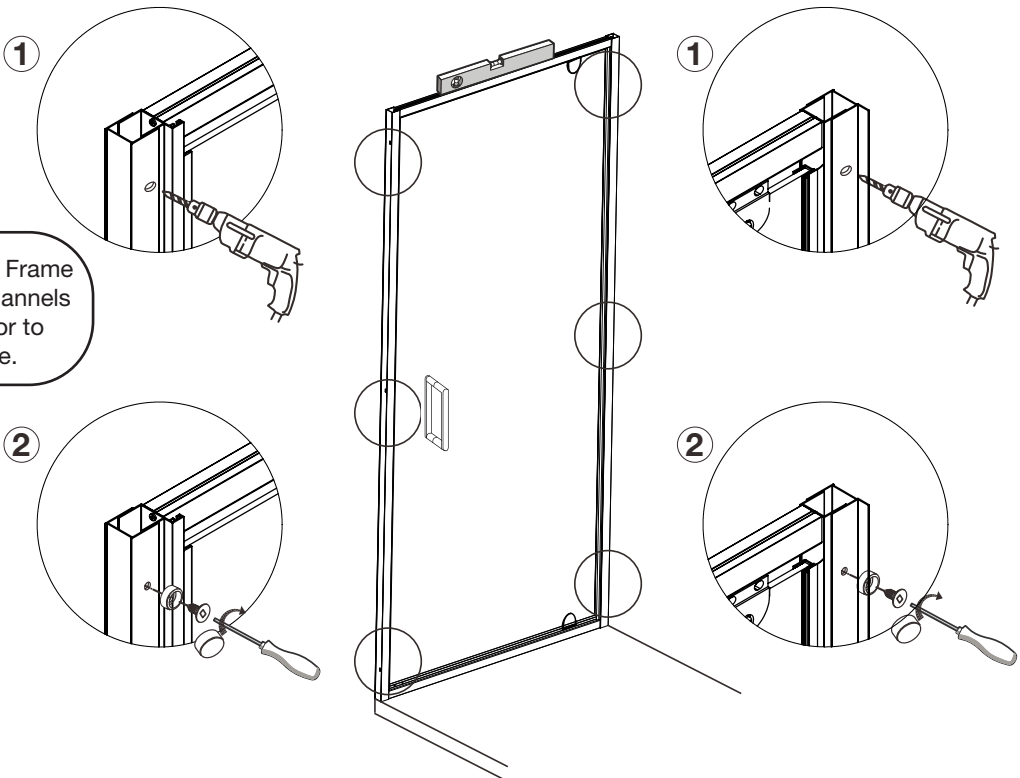
Apply continuous bead of silicone to the rear face of the wall channel before placing against the liner



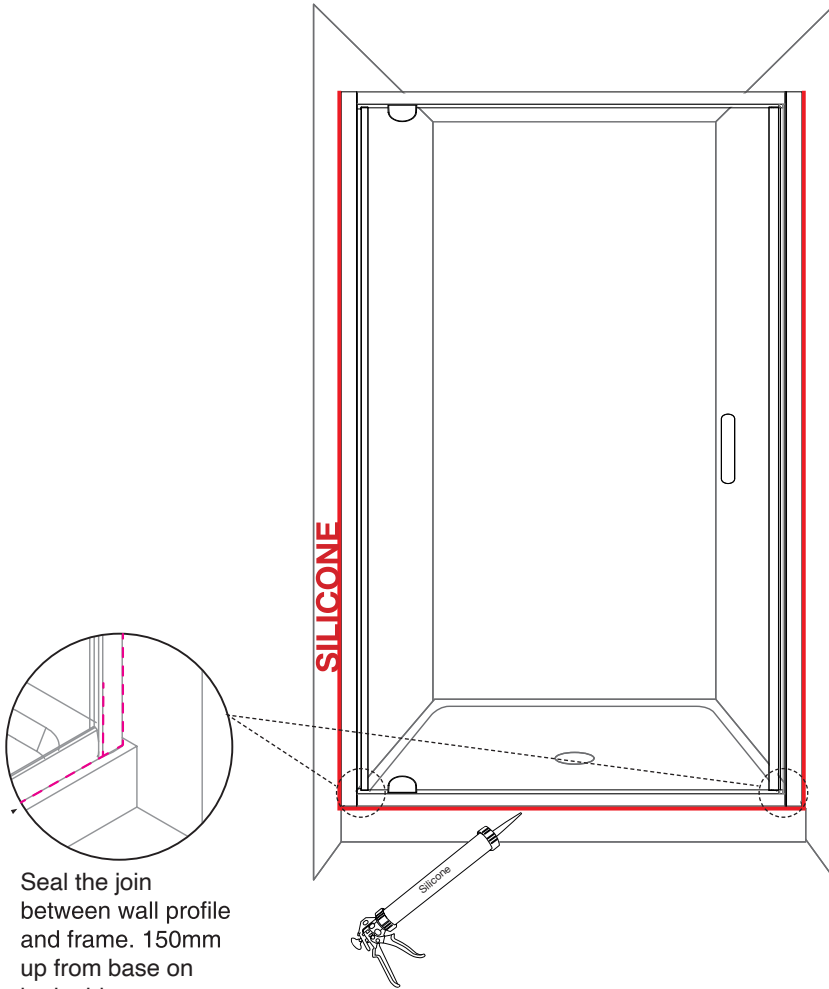
Enter Doorset with wall channels each side.

4

Square up Frame to Wall Channels and Door to Frame.



5



Seal the joint between wall profile and frame. 150mm up from base on both sides.

NEWLINE
for a lifetime!

54 Unutoto Place, Tauriko, Tauranga, 3171

Freephone: 0508 639 5463 Phone: 09 444 2053

Email: info@newline.co.nz newline.nz